

mSATA mini 3IE7



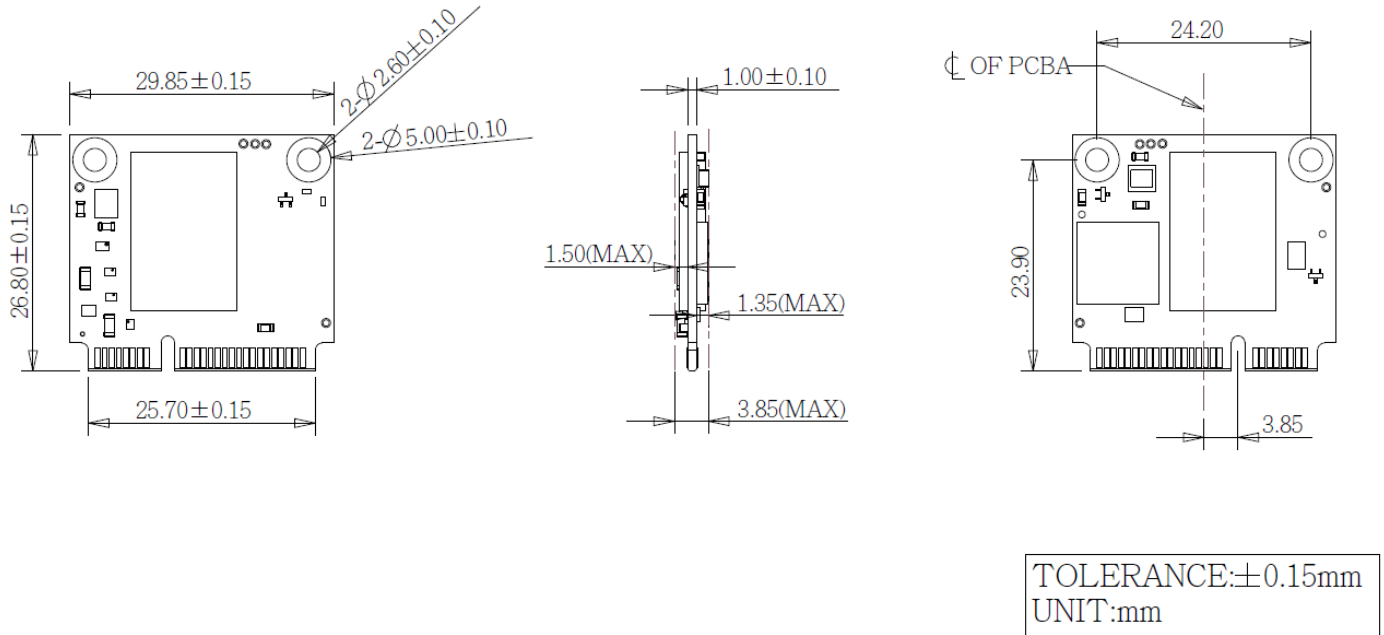
HIGHLIGHT FEATURES

- Up to 100K P/E cycle, extending the lifespan by 33x
- Equipped with 112-layer 3D TLC NAND Flash
- Utilizes Ultra iSLC Technology
- Supports temperatures -40°C to 85°C
- 5-year warranty

SPECIFICATIONS

Model Name	mSATA mini 3IE7
Flash Type	iSLC (3D TLC)
Interface	SATA III 6.0 Gb/s
Form Factor	MO-300B
Capacity	20GB ~ 320GB
Sequential R / W (MB/sec, max.)	550 / 490
P/E Cycle	30,000 / 100,000
TBW (Max.)	20,000
Storage Temperature	-40°C ~ 85°C
Max. Power Consumption	1.7W
Max. Channels	4
External DRAM Buffer	N
H/W Write Protect	Y (Optional)
S.M.A.R.T.	Y
AES	Y (Optional)
TCG Opal	N
Dimension (W x L x H/mm)	29.85 x 26.8 x 3.85
Vibration	20G@[7 ~ 2000Hz]
Shock	1500G@0.5ms
MTBF	>3 million hours
Warranty	5 Years

DIAGRAM



ORDER INFO.

Operating Temperature	Standard Grade (0°C ~ 70°C)	Industrial Grade (-40°C ~ 85°C)
20GB	DHMSM-20GDK1KCASL	DHMSM-20GDK1KWASL
40GB	DHMSM-40GDK1KCADL	DHMSM-40GDK1KWADL
80GB	DHMSM-80GDK1KCA&L	DHMSM-80GDK1KWA&L
160GB	DHMSM-A60DK1KCAQL	DHMSM-A60DK1KWAQL
320GB	DHMSM-D2GDK1KCAQL	DHMSM-D2GDK1KWAQL

& S : 1 channel / D : 2 channels / Q : 4 channels

HQ (Taiwan) T +886-2-7703-3000 / E sales@innodisk.com

CN T +86-755-2167-3689 / E sales_cn@innodisk.com

US T +1-510-770-9421 / E usasales@innodisk.com

EU T +31-40-3045-400 / E eusales@innodisk.com

JP T +81-3-6667-0161 / E jp_sales@innodisk.com

innodisk