



M.2 (P42) 4IE2

HIGHLIGHT FEATURES

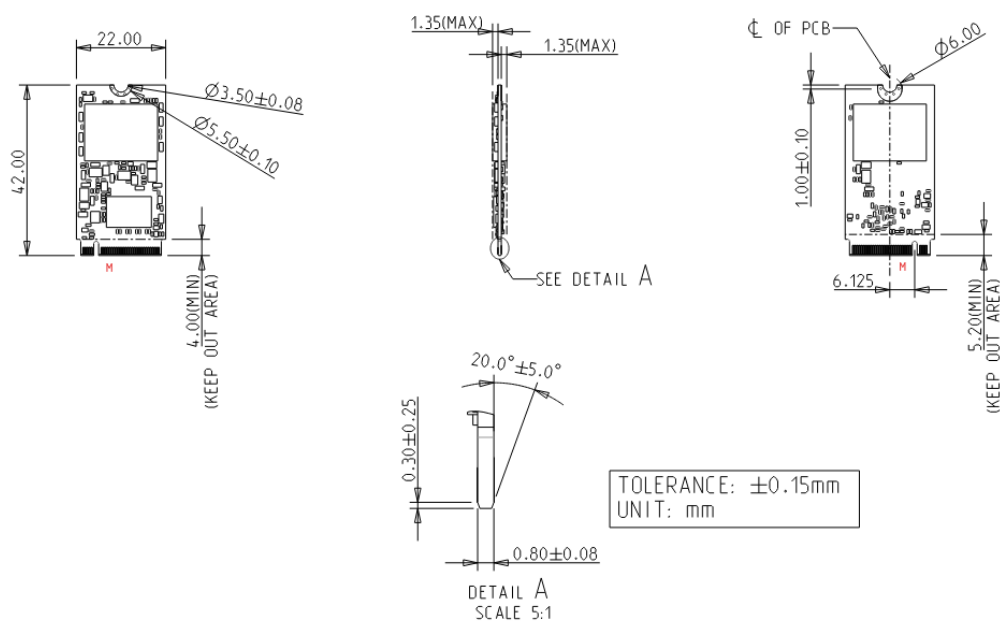
- Equipped with 112-layer 3D TLC NAND Flash
- Utilizes Ultra iSLC Technology
- Dynamic Thermal Management
- Support iPower Guard & iData Guard
- Support TCG Opal 2.0 (Optional)

SPECIFICATIONS

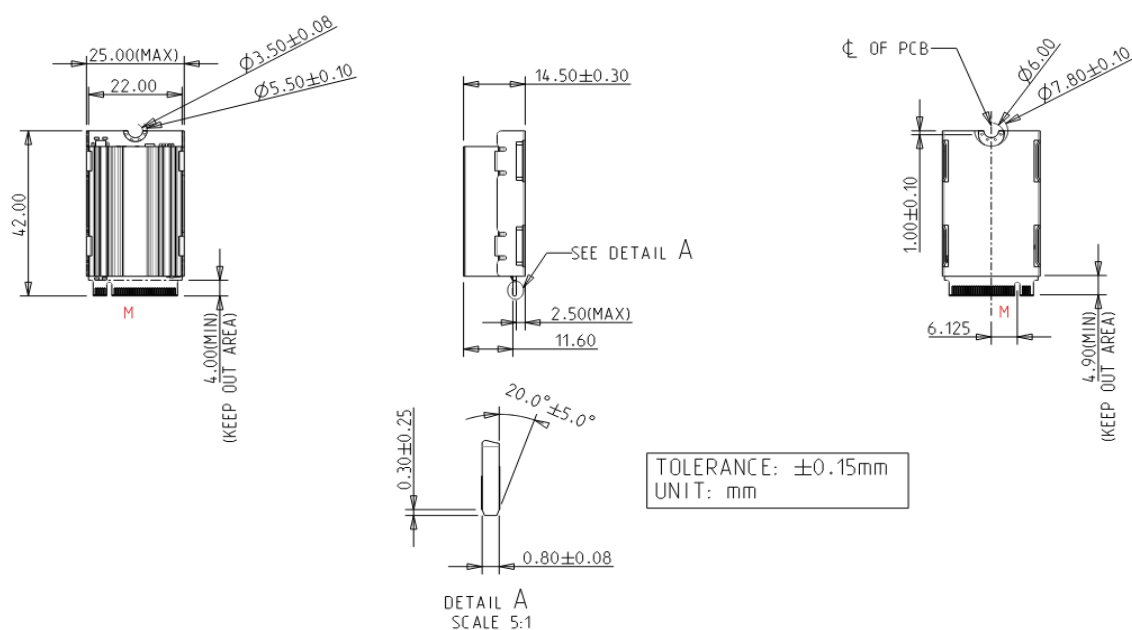
Model Name	M.2 (P42) 4IE2
Flash Type	iSLC (3D TLC)
Interface	PCIe Gen 4 x4
Form Factor	M.2 2242 M Key
Capacity	40GB ~ 640GB
Sequential R / W (MB/sec, max.)	3,450 / 2,850
P/E Cycle	100,000
TBW (Max.)	20,161
Storage Temperature	-40°C ~ 85°C
Max. Power Consumption	4.8W
Max. Channels	4
External DRAM Buffer	N
H/W Write Protect	Y (Optional)
S.M.A.R.T.	Y
AES	Y
TCG Opal	Y
Dimension (W x L x H/mm)	S/T : 22.0 x 42.0 x 3.8 W/T with heatsink : 25.0 x 42.0 x 14.5
Vibration	20G@[7 ~ 2000Hz]
Shock	1500G@0.5ms
MTBF	>3 million hours
Warranty	5 Years

DIAGRAM

ST



WT



ORDER INFO.

Operating Temperature	Standard Grade (0°C ~ 70°C)	Industrial Grade (-40°C ~ 85°C)
40GB	DHM24-40GDF1KCADL	DHM24-40GDF1KWADLH
80GB	DHM24-80GDF1KCAQL	DHM24-80GDF1KWAQLH
160GB	DHM24-A60DF1KCAQL	DHM24-A60DF1KWAQLH
320GB	DHM24-D2GDF1KCAQL	DHM24-D2GDF1KWAQLH
640GB	DHM24-F4GDF1KCAQQ	DHM24-F4GDF1KWAQQH

For TCG OPAL function, the PN Code 10th ~ 12th will be DF2.

HQ (Taiwan) T +886-2-7703-3000 / E sales@innodisk.com

CN T +86-755-2167-3689 / E sales_cn@innodisk.com

US T +1-510-770-9421 / E usasales@innodisk.com

EU T +31-40-3045-400 / E eusales@innodisk.com

JP T +81-3-6667-0161 / E jp_sales@innodisk.com

innodisk