

M.2 (P42) 3TE8

HIGHLIGHT FEATURES

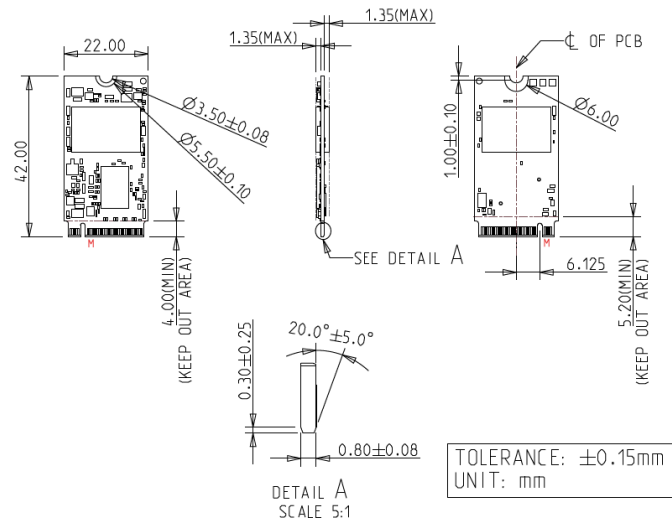
- PCIe Gen 3 x4, NVMe SSD
- Kioxia 3D TLC NAND
- Standard / Wide-temperature
- iData Guard / iPower Guard
- Dynamic thermal management
- Hybrid write mode with SLC cache enable
- Support TCG Opal function

SPECIFICATIONS

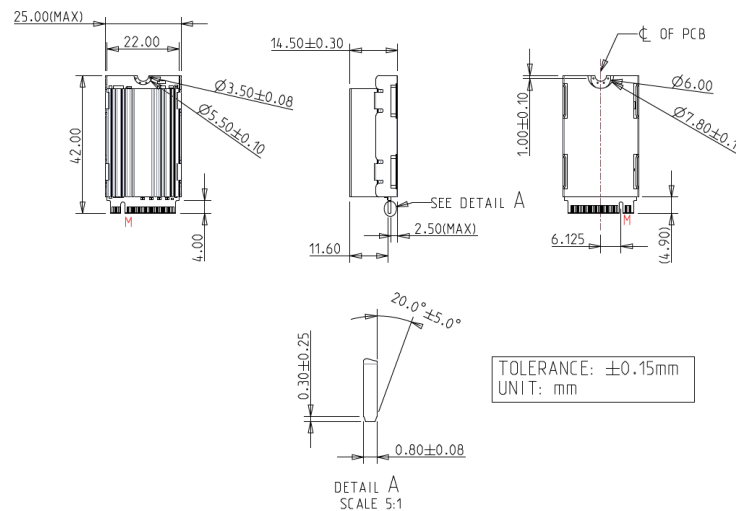
Model Name	M.2 (P42) 3TE8
Flash Type	3D TLC
Interface	PCIe Gen 3 x4
Form Factor	M.2 2242 M key
Capacity	128GB ~ 1TB
Sequential R / W (MB/sec, max.)	3,350 / 2,600
P/E Cycle	3,000
TBW (Max.)	803
Storage Temperature	-40°C ~ 85°C
Max. Power Consumption	4.2W
Max. Channels	4
External DRAM Buffer	N
H/W Write Protect	N
S.M.A.R.T.	Y
AES	Y
TCG Opal	Y
Dimension (W x L x H/mm)	WT with heatsink: 25.0 x 42.0 x 14.5 Pure M.2: 22.0 x 42.0 x 2.78
Vibration	20G@7~2000Hz
Shock	1500G@0.5ms
MTBF	>3 million hours
Warranty	3 Years

DIAGRAM

ST



WT



Note: The appearance of silicone oil seeping out from the inside of the thermal pad is a normal occurrence. Silicone oil is not electrically conductive, so it does not impact the functionality of SSD.

ORDER INFO.

Operating Temperature	Standard Grade (0°C ~ 70°C)	Industrial Grade (-40°C ~ 85°C)
128GB	DEM24-A28DS2KCADF	DEM24-A28DS2KWADFH
256GB	DEM24-B56DS2KCAQF	DEM24-B56DS2KWAQFH
512GB	DEM24-C12DS2KCAQF	DEM24-C12DS2KWAQFH
1TB	DEM24-01TDS2KCAQF	DEM24-01TDS2KWAQFH

HQ (Taiwan) T +886-2-7703-3000 / E sales@innodisk.com

CN T +86-755-2167-3689 / E sales_cn@innodisk.com

US T +1-510-770-9421 / E usasales@innodisk.com

EU T +31-40-3045-400 / E eusales@innodisk.com

JP T +81-3-6667-0161 / E jp_sales@innodisk.com

innodisk