



CFexpress 4IE3

HIGHLIGHT FEATURES

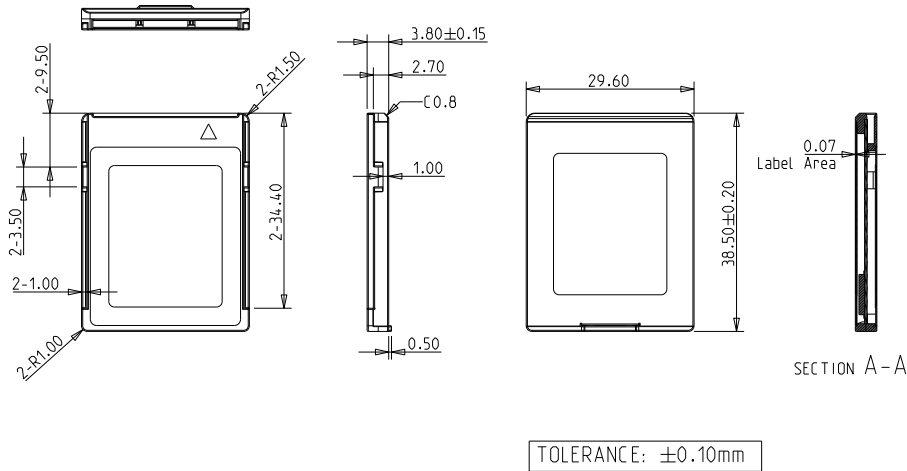
- PCIe Gen 3 x2, NVMe 1.4
- Ultra iSLC technology
- Stable sustained performance
- LDPC ECC engine supported
- 256 bit AES hardware based encryption
- Dynamic Thermal Management

SPECIFICATIONS

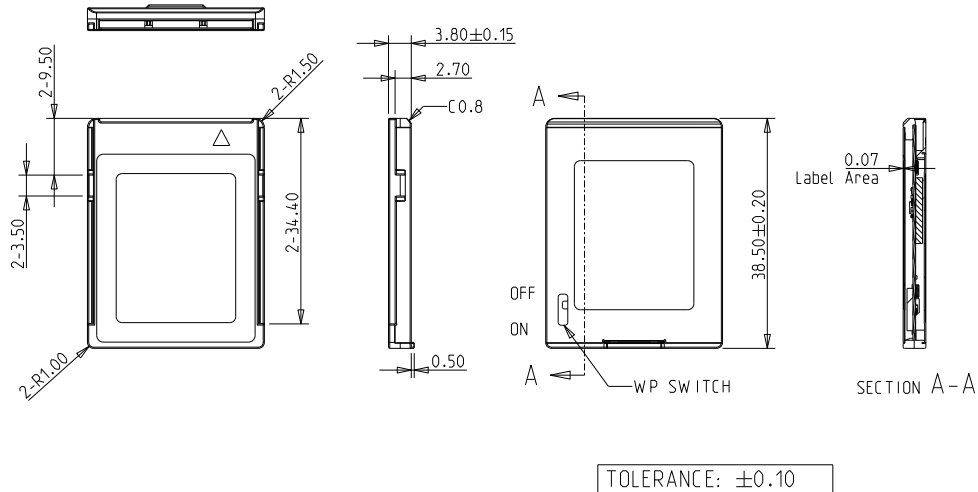
Model Name	CFexpress 4IE3
Flash Type	iSLC (3D TLC)
Interface	PCIe Gen 3 x2
Form Factor	CFexpress 1.0 Type B
Capacity	40GB ~ 320GB
Sequential R / W (MB/sec, max.)	1,750 / 1,600
P/E Cycle	100,000
TBW (Max.)	36,803
Storage Temperature	-40°C ~ 85°C
Max. Power Consumption	2.9W
Max. Channels	4
External DRAM Buffer	N
H/W Write Protect	Y (Optional)
S.M.A.R.T.	Y
AES	Y (Optional)
TCG Opal	Y (Optional)
Dimension (W x L x H/mm)	29.6 x 38.5 x 3.8
Vibration	20G@[7 ~ 2000Hz]
Shock	1500G@0.5ms
MTBF	>3 million hours
Warranty	5 Years

DIAGRAM

W/O WRITE PROTECT SWITCH



W/ WRITE PROTECT SWITCH



ORDER INFO.

Operating Temperature	Standard Grade (0°C ~ 70°C)	Industrial Grade (-40°C ~ 85°C)
40GB	DHCFX-40GDH1KCADL(W)	DHCFX-40GDH1KWADL(W)
80GB	DHCFX-80GDH1KCAQL(W)	DHCFX-80GDH1KWAQL(W)
160GB	DHCFX-A60DH1KCAQL(W)	DHCFX-A60DH1KWAQL(W)
320GB	DHCFX-D2GDH1KCAQL(W)	DHCFX-D2GDH1KWAQL(W)

W : H/W Write Protect

For TCG Opal function, the PN Code 10th ~ 12th will be DH2.

HQ (Taiwan) T +886-2-7703-3000 / E sales@innodisk.com

CN T +86-755-2167-3689 / E sales_cn@innodisk.com

US T +1-510-770-9421 / E usasales@innodisk.com

EU T +31-40-3045-400 / E eusales@innodisk.com

JP T +81-3-6667-0161 / E jp_sales@innodisk.com

innodisk