



## 2.5" SATA SSD 3TR6-P

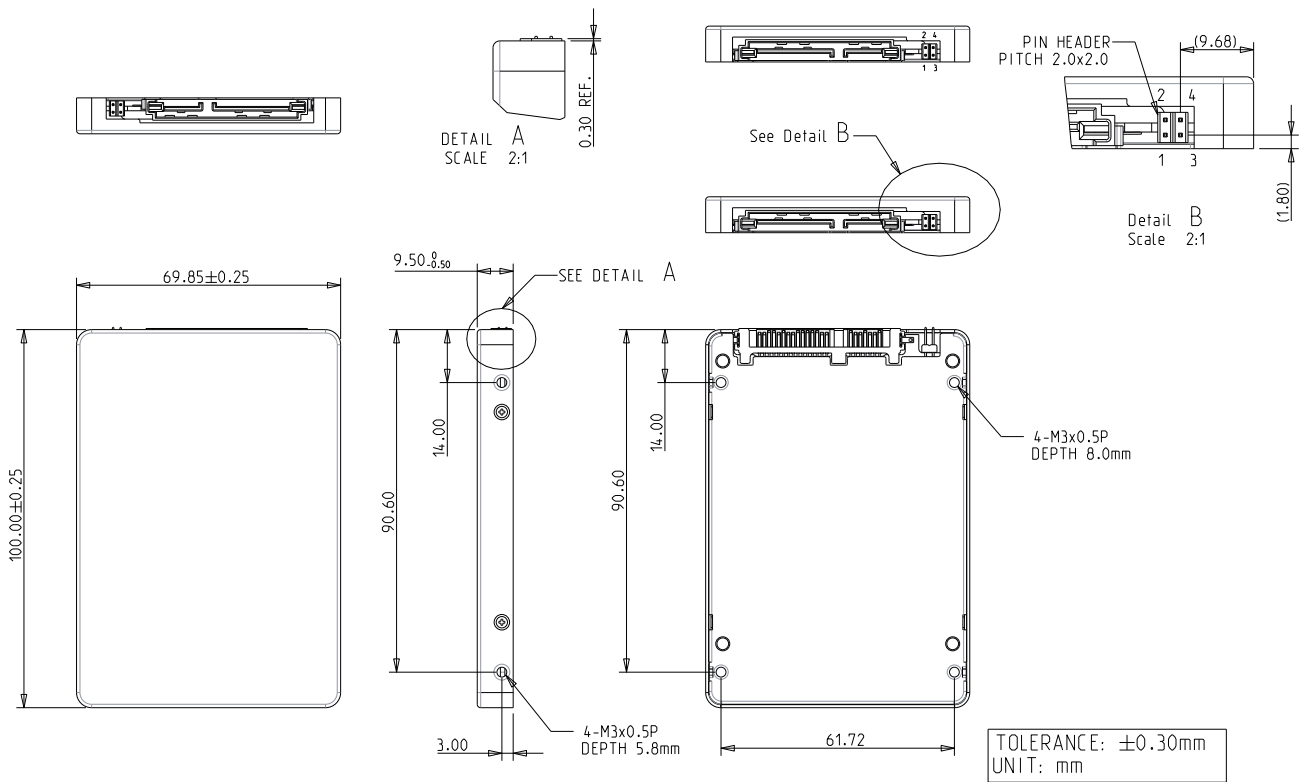
### HIGHLIGHT FEATURES

- 2.5" SATA III solution for industrial field
- AES-256 encryption
- End-to-end Data Path Protection
- iData Guard for abnormal power failure
- PLP (iCell) technology for data protection
- iPower Guard for protecting unstable start up and shut down
- Supports wide temperature from -40°C to 85°C

### SPECIFICATIONS

<b>Model Name</b>	2.5" SATA SSD 3TR6-P
<b>Flash Type</b>	3D TLC
<b>Interface</b>	SATA III 6.0 Gb/s
<b>Form Factor</b>	2.5" SSD
<b>Capacity</b>	128GB ~ 2TB
<b>Sequential R / W (MB/sec, max.)</b>	560 / 500
<b>P/E Cycle</b>	3,000
<b>TBW (Max.)</b>	4,615
<b>Storage Temperature</b>	-40°C ~ 85°C
<b>Max. Power Consumption</b>	4.2W
<b>Max. Channels</b>	4
<b>External DRAM Buffer</b>	Y
<b>H/W Write Protect</b>	Y (Optional)
<b>S.M.A.R.T.</b>	Y
<b>AES</b>	Y
<b>TCG Opal</b>	Y
<b>Dimension (W x L x H/mm)</b>	69.8 x 100.0 x 9.5
<b>Vibration</b>	20G@[7 ~ 2000Hz]
<b>Shock</b>	1500G@0.5ms
<b>MTBF</b>	>3 million hours
<b>Warranty</b>	3 Years

## DIAGRAM



## ORDER INFO.

Operating Temperature	Standard Grade (0°C ~ 70°C)	Industrial Grade (-40°C ~ 85°C)
128GB	DRS25-A28M72EC1QFP	DRS25-A28M72EW1QFP
256GB	DRS25-B56M72EC1QFP	DRS25-B56M72EW1QFP
512GB	DRS25-C12M72EC1QFP	DRS25-C12M72EW1QFP
1TB	DRS25-01TM72EC1QFP	DRS25-01TM72EW1QFP
2TB	DRS25-02TM72ECAQFP	DRS25-02TM72EWAQFP

HQ (Taiwan) T +886-2-7703-3000 / E sales@innodisk.com

CN T +86-755-2167-3689 / E sales\_cn@innodisk.com

US T +1-510-770-9421 / E usasales@innodisk.com

EU T +31-40-3045-400 / E eusales@innodisk.com

JP T +81-3-6667-0161 / E jp\_sales@innodisk.com

**innodisk**