



2.5" SATA SSD 3TG6-P

HIGHLIGHT FEATURES

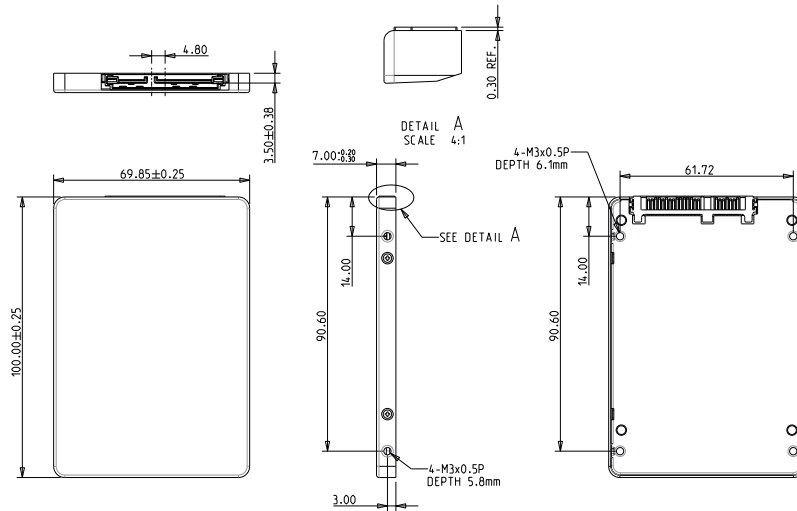
- 2.5" SATA III solution for industrial field
- High IOPS
- iSMART disk health monitoring
- AES-256 encryption
- Supports iData Guard & iPower Guard
- PLP (iCell) technology for data protection (optional)
- Supports wide temperature from -40°C to 85°C

SPECIFICATIONS

Model Name	2.5" SATA SSD 3TG6-P
Flash Type	3D TLC
Interface	SATA III 6.0 Gb/s
Form Factor	2.5" SSD
Capacity	128GB ~ 4TB
Sequential R / W (MB/sec, max.)	560 / 510
P/E Cycle	3,000
TBW (Max.)	9,231
Storage Temperature	-40°C ~ 85°C
Max. Power Consumption	5.9W
Max. Channels	4
External DRAM Buffer	Y
H/W Write Protect	Y (Optional)
S.M.A.R.T.	Y
AES	Y
TCG Opal	Y
Dimension (W x L x H/mm)	128GB ~ 4TB, Single Board : 69.8 x 100.0 x 7.0 4TB / 8TB, Dual Board : 69.8 x 100.0 x 9.5
Vibration	20G@[7 ~ 2000Hz]
Shock	1500G@0.5ms
MTBF	>3 million hours
Warranty	3 Years

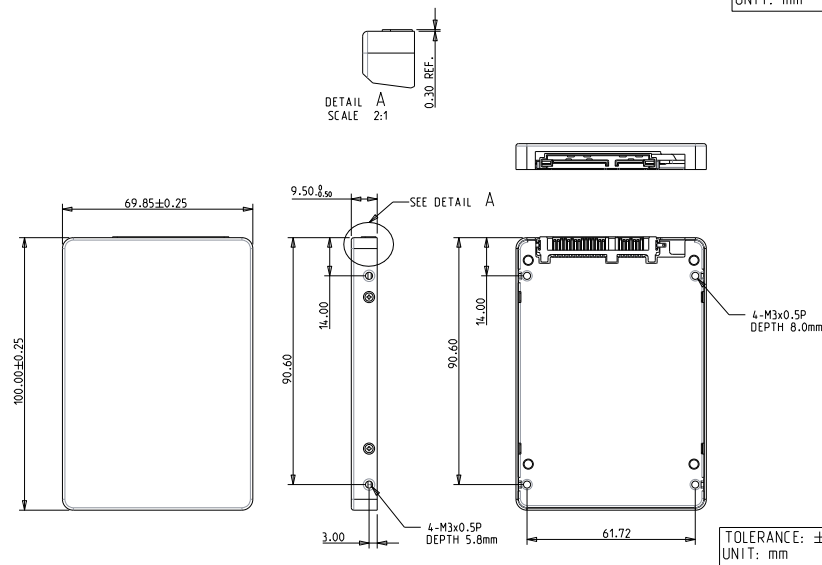
DIAGRAM

Single Board



TOLERANCE: ±0.30mm
UNIT: mm

Dual Board



TOLERANCE: ±0.30mm
UNIT: mm

ORDER INFO.

Operating Temperature	Standard Grade (0°C ~ 70°C)	Industrial Grade (-40°C ~ 85°C)
128GB	DGS25-A28M71%C*&F(P)	DGS25-A28M71%W*&F(P)
256GB	DGS25-B56M71%C*&F(P)	DGS25-B56M71%W*&F(P)
512GB	DGS25-C12M71%C*QF(P)	DGS25-C12M71%W*QF(P)
1TB	DGS25-01TM71%C*QF(P)	DGS25-01TM71%W*QF(P)
2TB	DGS25-02TM71%CAQF(P)	DGS25-02TM71%WAQF(P)
4TB	DGS25-04TM71%CAQF(P)	DGS25-04TM71%WAQF(P)

% : E : 64 layers 3D TLC / K : 112 layers 3D TLC

* : PCB version control

& : S : 1 channel / D : 2 channels / Q : 4 channels

(P) : iCell (Optional)

For TCG OPAL function, the PN Code 10th ~ 12th will be M72.

HQ (Taiwan) T +886-2-7703-3000 / E sales@innodisk.com

CN T +86-755-2167-3689 / E sales_cn@innodisk.com

US T +1-510-770-9421 / E usasales@innodisk.com

EU T +31-40-3045-400 / E eusales@innodisk.com

JP T +81-3-6667-0161 / E jp_sales@innodisk.com

innodisk