

2.5" SATA SSD 3SE2-P

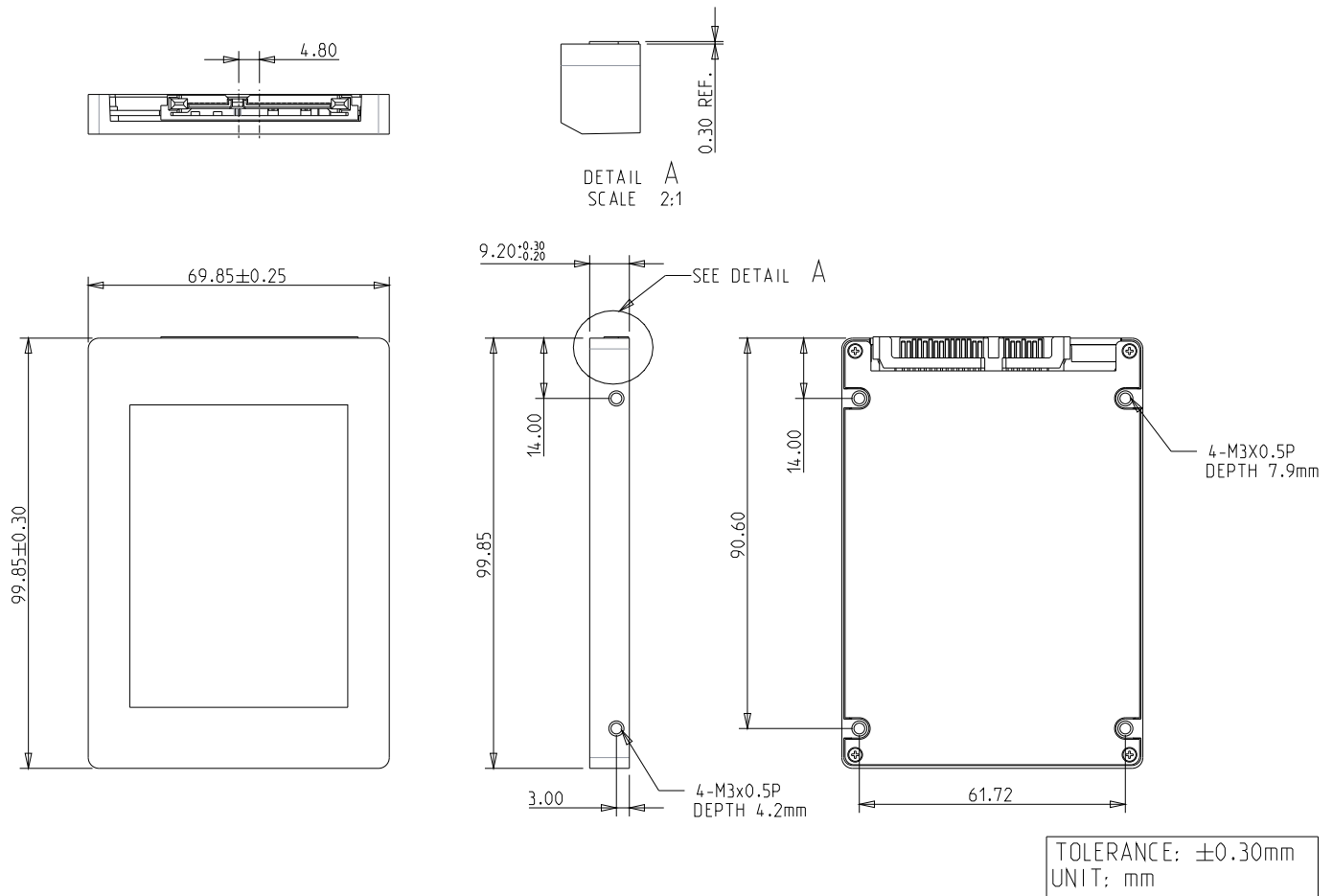
HIGHLIGHT FEATURES

- 2.5" SATA III solution for industrial field
- Hardware-based AES 256-bit key
- iData Guard for abnormal power failure
- PLP (iCell) technology for data protection (optional)
- Compliant with TCG Opal 2.0 & IEEE 1667
- 9mm height mechanical design
- iSMART disk health monitoring

SPECIFICATIONS

| | |
|--|----------------------|
| Model Name | 2.5" SATA SSD 3SE2-P |
| Flash Type | SLC |
| Interface | SATA III 6.0 Gb/s |
| Form Factor | 2.5" SSD |
| Capacity | 8GB ~ 256GB |
| Sequential R / W (MB/sec, max.) | 520 / 340 |
| P/E Cycle | 60,000 |
| TBW (Max.) | 12,000 |
| Storage Temperature | -55°C ~ 95°C |
| Max. Power Consumption | 4.4W |
| Max. Channels | 4 |
| External DRAM Buffer | Y |
| H/W Write Protect | N |
| S.M.A.R.T. | Y |
| AES | Y |
| TCG Opal | Y |
| Dimension (W x L x H/mm) | 69.85 x 100.0 x 9.2 |
| Vibration | 20G@[7 ~ 2000Hz] |
| Shock | 1500G@0.5ms |
| MTBF | >3 million hours |
| Warranty | 5 Years |

DIAGRAM



ORDER INFO.

| Operating Temperature | Standard Grade (0°C ~ 70°C) | Industrial Grade (-40°C ~ 85°C) |
|-----------------------|-----------------------------|---------------------------------|
| 8GB | DES25-08GD82SCAQB(P) | DES25-08GD82SWAQB(P) |
| 16GB | DES25-16GD82SCAQB(P) | DES25-16GD82SWAQB(P) |
| 32GB | DES25-32GD82SCAQB(P) | DES25-32GD82SWAQB(P) |
| 64GB | DES25-64GD82SCAQB(P) | DES25-64GD82SWAQB(P) |
| 128GB | DES25-A28D82SCAQB(P) | DES25-A28D82SWAQB(P) |
| 256GB | DES25-B56D82SCAQB(P) | DES25-B56D82SWAQB(P) |

(P) : PLP (iCell) (Optional)

HQ (Taiwan) T +886-2-7703-3000 / E sales@innodisk.com

CN T +86-755-2167-3689 / E sales_cn@innodisk.com

US T +1-510-770-9421 / E usasales@innodisk.com

EU T +31-40-3045-400 / E eusales@innodisk.com

JP T +81-3-6667-0161 / E jp_sales@innodisk.com

innodisk