



2.5" SATA SSD 3MR2-P

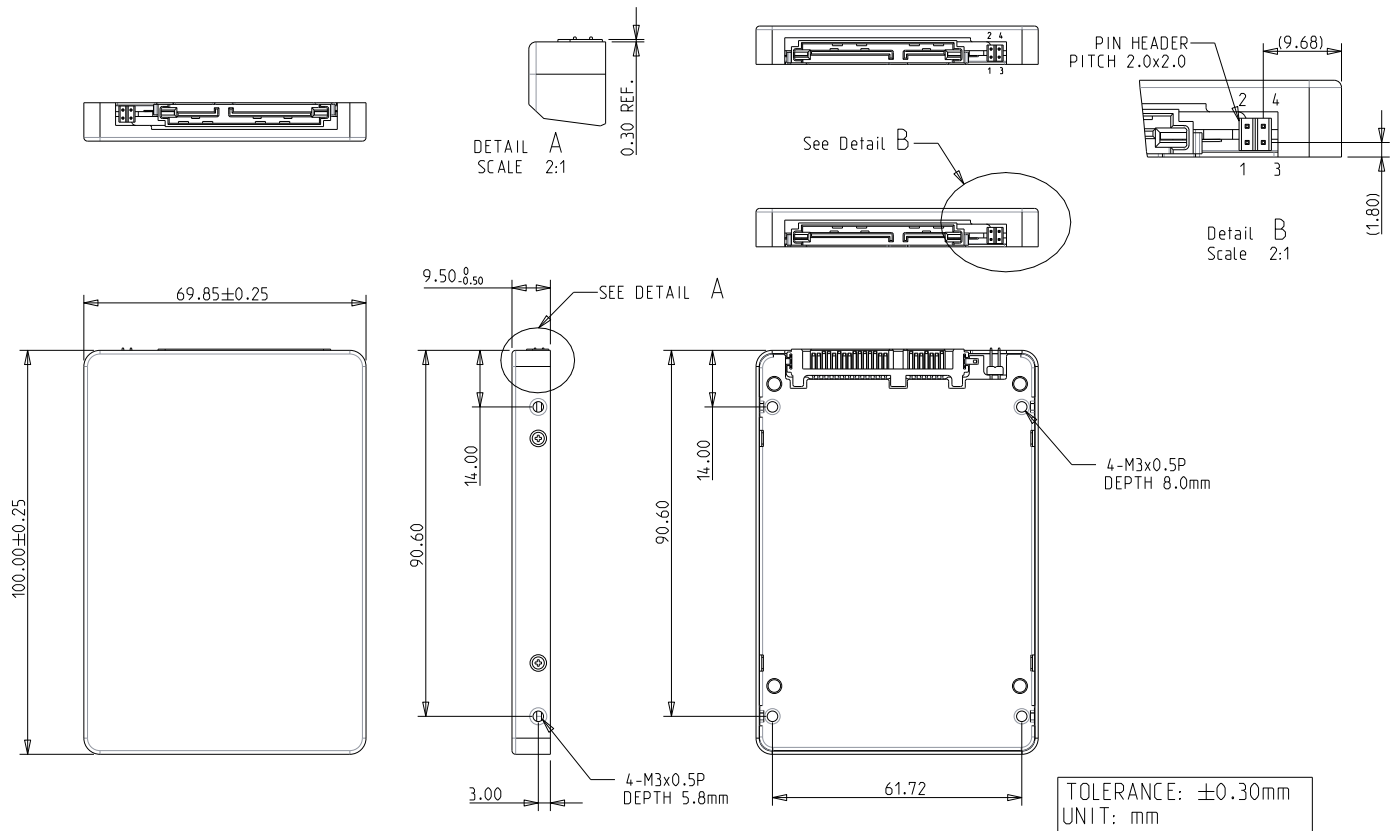
HIGHLIGHT FEATURES

- Compliant with MIL-STD-810-F/G
- Data security (QEraser / SEraser / Destroy / Write Protect)
- High random R/W performance
- Intelligent error recovery system
- Enhanced power cycling management
- PLP (iCell) technology for data protection

SPECIFICATIONS

Model Name	2.5" SATA SSD 3MR2-P
Flash Type	MLC
Interface	SATA III 6.0 Gb/s
Form Factor	2.5" SSD
Capacity	8GB ~ 2TB
Sequential R / W (MB/sec, max.)	520 / 450
P/E Cycle	3,000
TBW (Max.)	2,344
Storage Temperature	-55°C ~ 95°C
Max. Power Consumption	5.8W
Max. Channels	4
External DRAM Buffer	Y
H/W Write Protect	N
S.M.A.R.T.	Y
AES	Y
TCG Opal	Y
Dimension (W x L x H/mm)	69.85 x 100.0 x 9.5
Vibration	20G@[7 ~ 2000Hz]
Shock	1500G@0.5ms
MTBF	>3 million hours
Warranty	3 Years

DIAGRAM



ORDER INFO.

Operating Temperature	Standard Grade ($0^{\circ}\text{C} \sim 70^{\circ}\text{C}$)	Industrial Grade ($-40^{\circ}\text{C} \sim 85^{\circ}\text{C}$)
8GB	DRS25-08GD81BC1SCP	DRS25-08GD81BW1SCP
16GB	DRS25-16GD81BC1SCP	DRS25-16GD81BW1SCP
32GB	DRS25-32GD81BC1DCP	DRS25-32GD81BC1DWP
64GB	DRS25-64GD81BC1QCP	DRS25-64GD81BW1QCP
128GB	DRS25-A28D81BC1QCP	DRS25-A28D81BW1QCP
256GB	DRS25-B56D81BC1QCP	DRS25-B56D81BW1QCP
512GB	DRS25-C12D81BC1QCP	DRS25-C12D81BW1QCP
1TB	DRS25-01TD81BCAQCP	DRS25-01TD81BWAQCP
2TB	DRS25-02TD81BCAQCP	DRS25-02TD81BWAQCP

For TCG OPAL function, the PN Code 10th ~ 12th will be D82.

HQ (Taiwan) T +886-2-7703-3000 / E sales@innodisk.com

CN T +86-755-2167-3689 / E sales_cn@innodisk.com

US T +1-510-770-9421 / E usasales@innodisk.com

EU T +31-40-3045-400 / E eusales@innodisk.com

JP T +81-3-6667-0161 / E jp_sales@innodisk.com

innodisk