

## InnoEx-IPCKVM

LAN to Triple USB / Single HDMI



### HIGHLIGHT FEATURES

- Expands I/O through virtualization technology
- Extends I/O via RJ45 Ethernet
- Simulates remote I/O on local computer
- Keeps I/O behavior and data format. No change of I/O operation
- Supports PoE connection (optional), compliant with IEEE 802.3at/af
- Supports display output of HDMI 1.4
- Supports 3 USB 2.0 ports (5V1A per port)

### SPECIFICATIONS

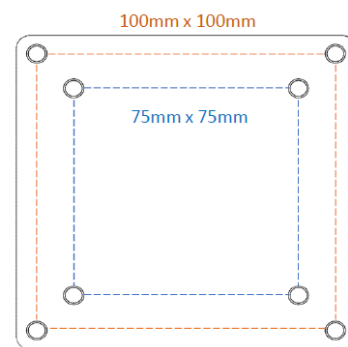
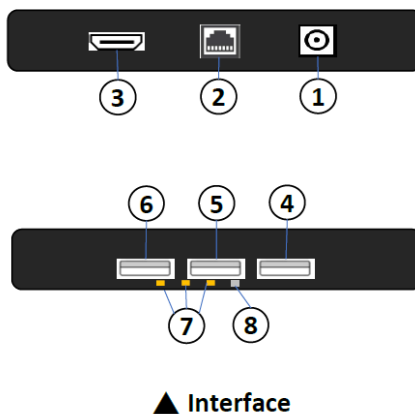
<b>Model Name</b>	InnoEx-IPCKVM
<b>Module Type</b>	LAN to Triple USB / Single HDMI
<b>Form Factor</b>	Other
<b>Function</b>	InnoEx Virtual I/O
<b>Input I/F</b>	LAN
<b>Output I/F</b>	1 x HDMI 1.4 3 x USB 2.0 (Type A connector)
<b>Output Port</b>	4
<b>Output Connector</b>	1 x HDMI 3 x USB 2.0 (Type A connector)
<b>Max. Power Consumption</b>	--
<b>Dimension (W x L x H/mm)</b>	115 x 115 x 22
<b>Temperature</b>	Operation : -10°C ~ 85°C (Ta) Storage : -20°C ~ 90°C (Ta)
<b>Vibration</b>	5G@[7~2000Hz]
<b>Shock</b>	50G@0.5ms
<b>OS Support</b>	Windows : 10 (32 / 64bit), and above version Linux : Kernel 4.4 and libssl 1.0 above
<b>Warranty</b>	3 Years
<b>Notes</b>	HDMI support Windows x86 only.

## ORDER INFO.

P/N	Description
EA1-9NIPCKVM1301	InnoEx IPCKVM LAN to Triple USB / Single HDMI (LAN)
EA1-9NIPCKVM1301-P	InnoEx IPCKVM LAN to Triple USB / Single HDMI (PoE)

## INTERFACE & VESA MIS-D

Item	Description
1	DC-Jack Power Input
2	GbE LAN Port
3	HDMI Port
4	USB 2.0 Port1
5	USB 2.0 Port2
6	USB 2.0 Port3
7	LED
8	Reset Button



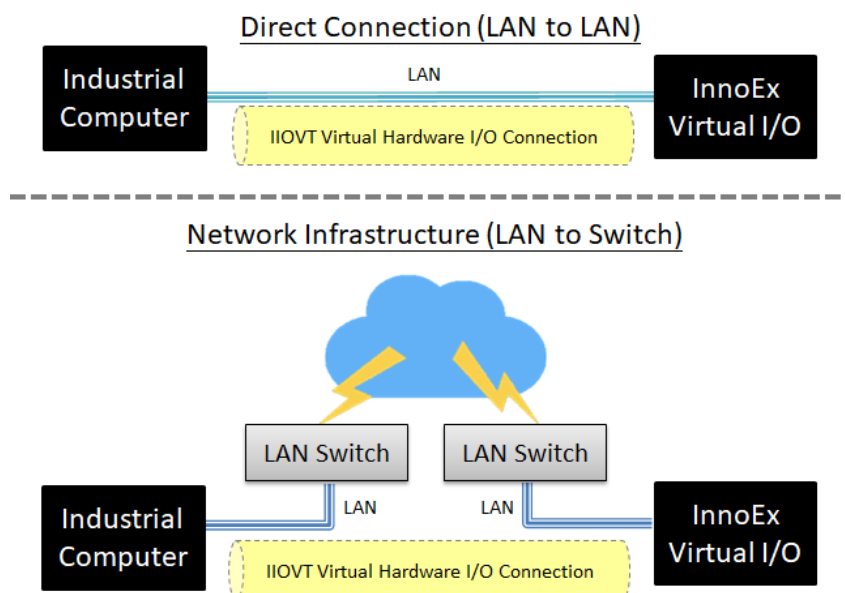
▲ Interface

▲ VESA MIS-D

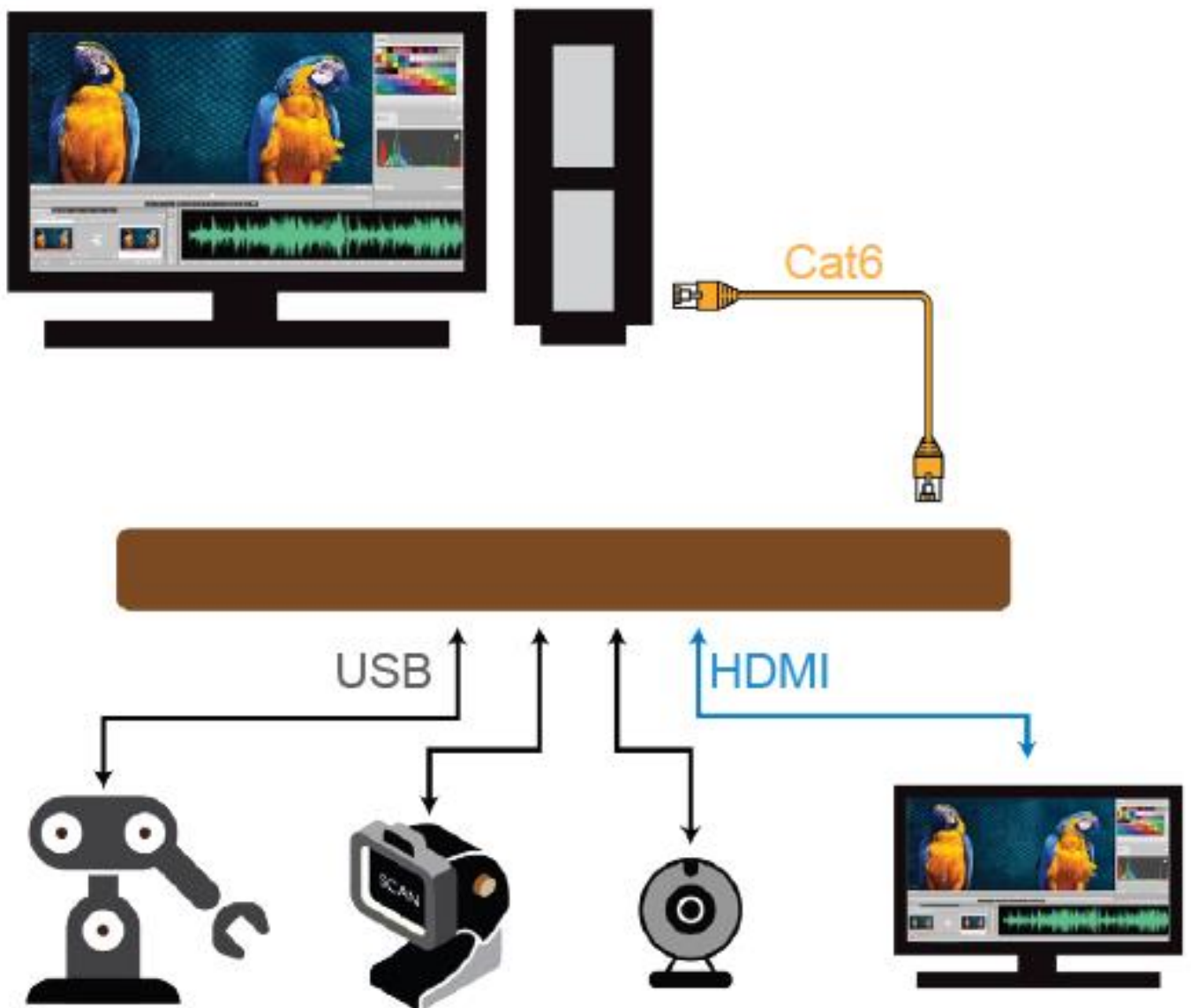
## INDUSTRIAL I/O VIRTUALIZATION TECHNOLOGY (IIOVT)

InnoEx allows integrators to expand I/O ports, as well as extend their range up to 100m<sup>1</sup> from LAN to LAN, or extend without limit through the internet via I/O virtualization. InnoEx connect devices act as if they are connected directly to the system itself, and always maintain their original device behavior. Simply install the InnoEx IIOVT driver onto the industrial computer and the InnoEx device via an Ethernet cable to get started.

**(Note 1.** Signal strength may be weakened due to site conditions and equipment deployment. A recommended deployment distance is 80 meters, or use with a switch.)



# LAN TO USB / HDMI APPLICATIONS ARCHITECTURE



**HQ (Taiwan)** T +886-2-7703-3000 / E sales@innodisk.com

**CN** T +86-755-2167-3689 / E sales\_cn@innodisk.com

**US** T +1-510-770-9421 / E usasales@innodisk.com

**EU** T +31-40-3045-400 / E eusales@innodisk.com

**JP** T +81-3-6667-0161 / E jp\_sales@innodisk.com

**innodisk**