



EV8M-CSM1-RTCF

MIPI CSI-2 8MP Fixed Focus Camera Module

HIGHLIGHT FEATURES

- MIPI CSI-2 Interface, 8MP @30fps (Max. Resolution)
- Support Starvis Low Light, HDR, ISP Inside
- Dynamic Range : 85dB
- Lens FOV (D / H / V) : 148° / 125° / 67°
- Platform Support : NVIDIA Jetson Orin

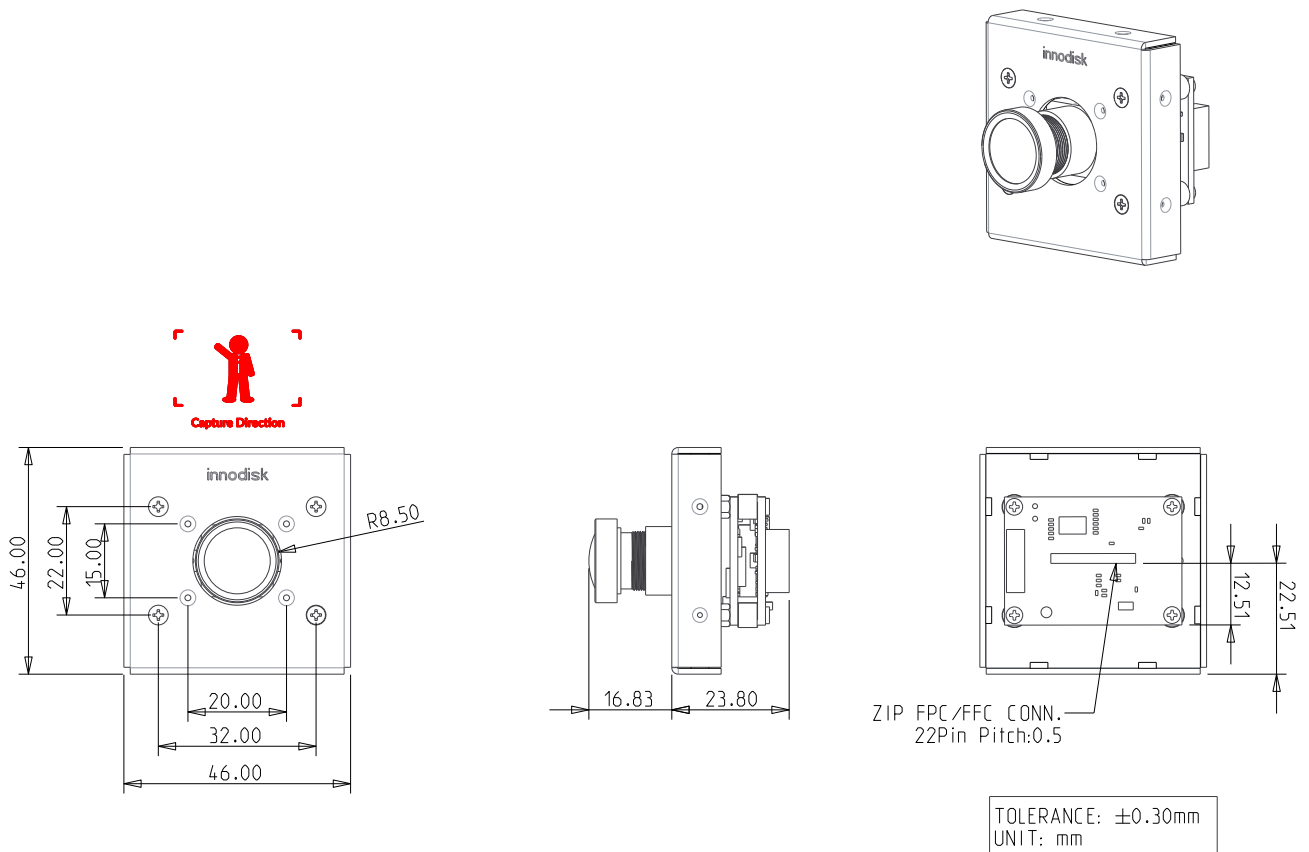
SPECIFICATIONS

Model Name	EV5M-CSM1-RTCF
Module Type	MIPI CSI-2 8MP Fixed Focus Camera Module
Resolution (Max.)	8MP
Frame Rate (Max. Resolution)	30fps
Output I/F	MIPI CSI-2
Sensor	Sony IMX415
Shutter	Rolling
Video Format	YUV422
Power Consumption	Approximate 1.9W (YUV422 @Max. Resolution)
Operating Temperature	-20°C ~ 65°C
Sensor Size	1/2.8"
Pixel Size	1.45µm
Chroma Type	Color
Lens Type	Fixed Focus (M12)
Dimension (W x L x H/mm)	46 x 46 x 40.6 (Open Front Housing)
Lens FOV (D / H / V)	148° / 125° / 67°
Platform Support	NVIDIA Jetson Orin
Housing	Open Front Housing
Features	HDR, Low light
Warranty	3 Years
Note	For detailed resolution and frame rate combined application, please refer to product datasheet. For more platform support, please contact our local sales.

ORDER INFO.

P/N	Description
EV8M-CSM1-RTCF-21	MIPI CSI-2 8MP Fixed Focus Camera Module, Open Front Housing (MIPI CSI-2 FFC cable included)

MECHANICAL DRAWING

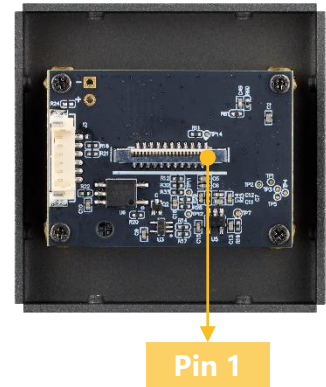


RESOLUTION MATRIX

Resolution	YUV422	MJPEG
3840 x 2160	30 / 25fps	N/A
2560 x 1920	30 / 25fps	N/A
2560 x 1440	30 / 25fps	N/A
1920 x 1080	30 / 25fps	N/A
1280 x 960	30 / 25 fps	N/A
1280 x 720	30 / 25 fps	N/A

CONNECTOR PIN ASSIGNMENT

Pin #	Pin Name	Description
1	GND	Ground
2	CAM_D0_N	CSI Data 0
3	CAM_D0_P	CSI Data 0
4	GND	Ground
5	CAM_D1_N	CSI Data 1
6	CAM_D1_P	CSI Data 1
7	GND	Ground
8	CAM_CK_N	CSI Clock
9	CAM_CK_P	CSI Clock
10	GND	Ground
11	CAM_D2_N	CSI Data 2
12	CAM_D2_P	CSI Data 2
13	GND	Ground
14	CAM_D3_N	CSI Data 3
15	CAM_D3_P	CSI Data 3
16	GND	Ground
17	CAM_PWDN	Camera Power-down
18	CAM_MCLK	Camera Master Clock
19	GND	Ground
20	CAM_SCL	I2C Clock (3.3V)
21	CAM_SDA	I2C Data (3.3V)
22	CAM_3V3	+3.3V

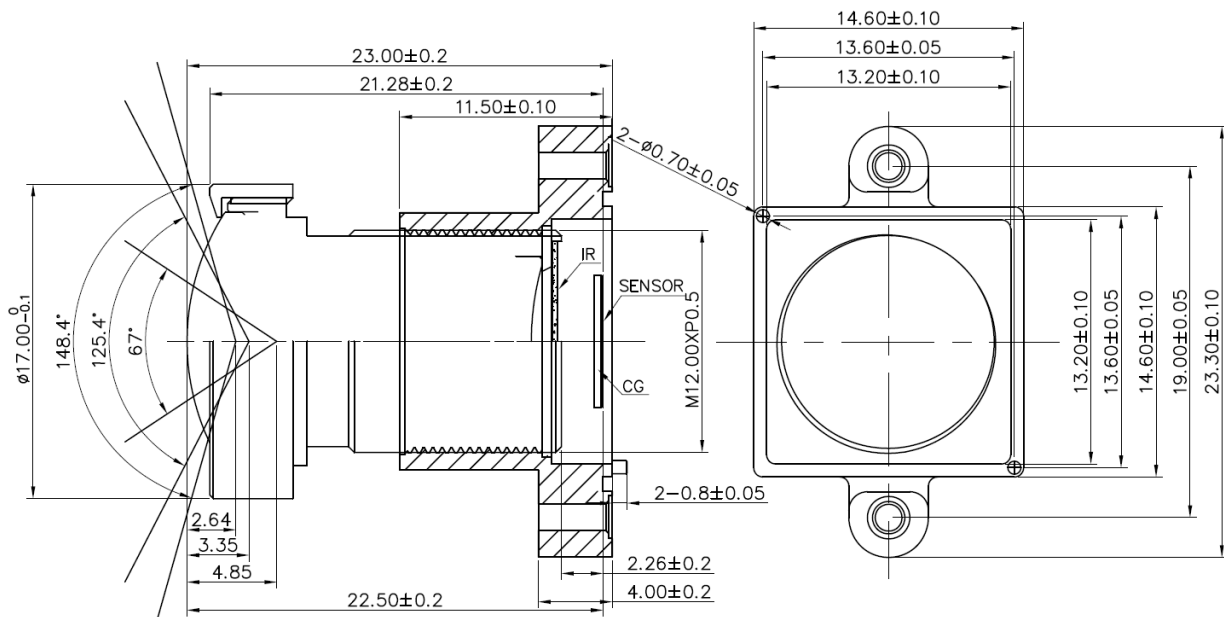


PLATFORM SUPPORT

Platform	Processor
NVIDIA Jetson	Jetson AGX Orin Jetson Orin NX Jetson Orin Nano

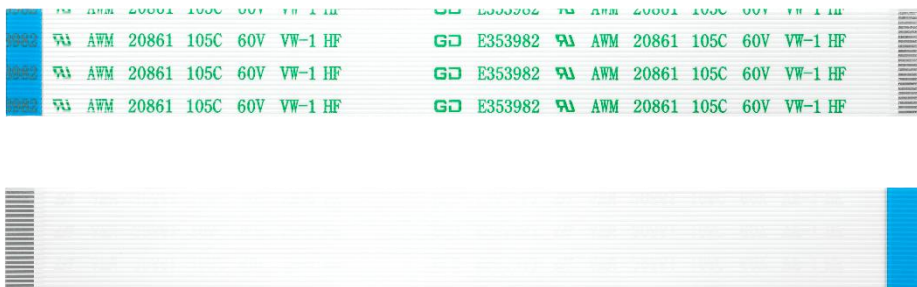
For more information please contact our local sales.

LENS SPEC.



Items	Specification
F No.	1.8
Focal Length	2.74mm
Lens Structure	7G
Mount	M12 x P0.5 (S-Mount)

CABLE APPEARANCE



HQ (Taiwan) T +886-2-7703-3000 / E sales@innodisk.com

CN T +86-755-2167-3689 / E sales_cn@innodisk.com

US T +1-510-770-9421 / E usasales@innodisk.com

EU T +31-40-3045-400 / E eusales@innodisk.com

JP T +81-3-6667-0161 / E jp_sales@innodisk.com

innodisk