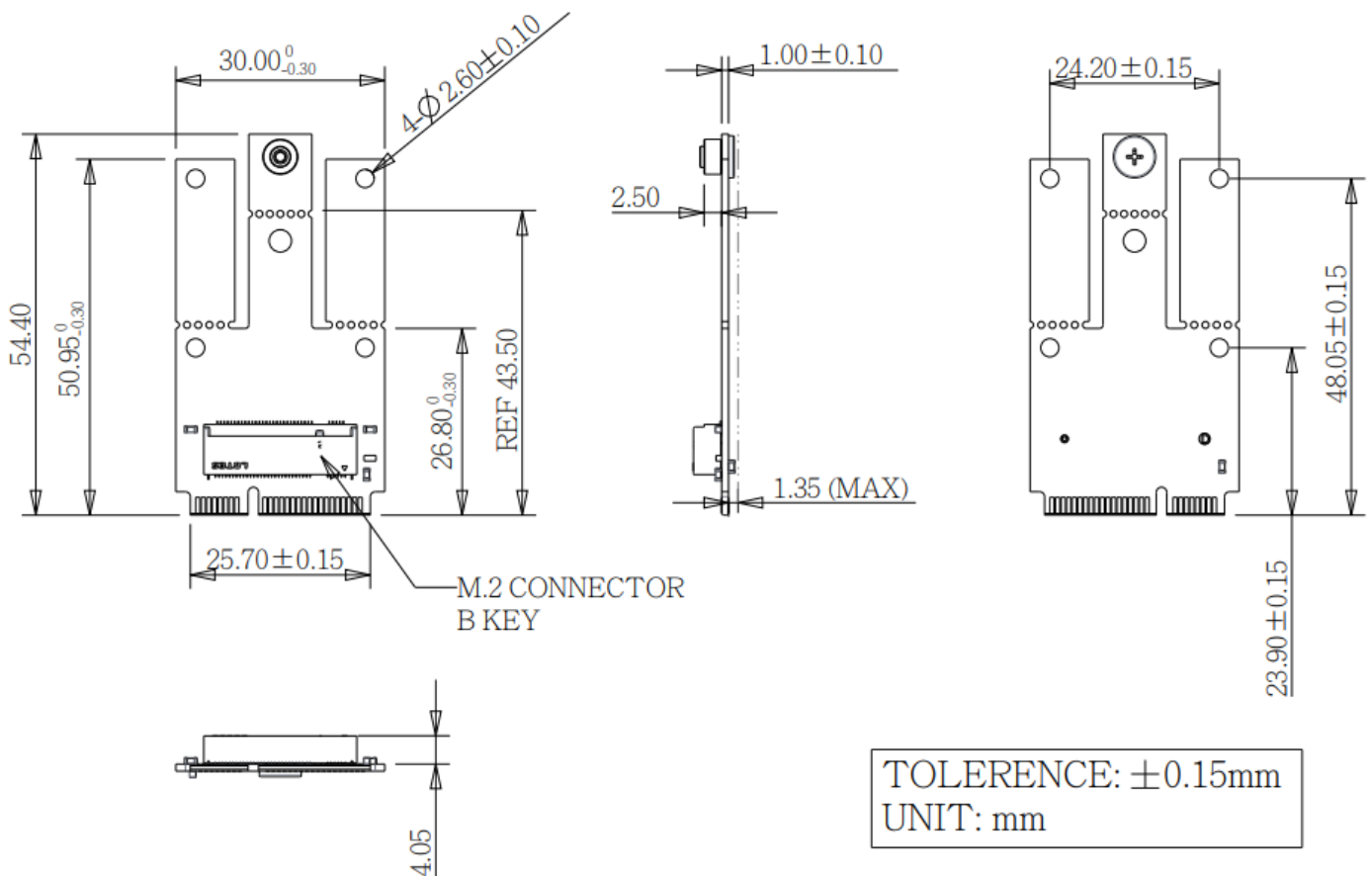


ORDER INFO.

P/N	Description
EMXX-0102-W1	mPCIe to M.2 B Key Module / Wide Temperature

MECHANICAL DRAWING



HQ (Taiwan) T +886-2-7703-3000 / E sales@innodisk.com

CN T +86-755-2167-3689 / E sales_cn@innodisk.com

US T +1-510-770-9421 / E usasales@innodisk.com

EU T +31-40-3045-400 / E eusales@innodisk.com

JP T +81-3-6667-0161 / E jp_sales@innodisk.com

innodisk