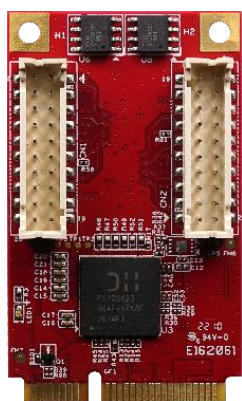


## EMPL-G2P3

mPCIe to Dual PoE Module



### HIGHLIGHT FEATURES

- Two independent PSE channels
- Complies with IEEE 802.3af, up to 15.4W at 48V per PoE port
- Complies with EN61000-4-2 (ESD) Air-15kV, Contact-8kV
- Supports 12V to 24V power input via 4pin header
- Optional terminal mounting hole or bracket for daughter board
- Optional industrial temperature (-40°C to 85°C) support

### SPECIFICATIONS

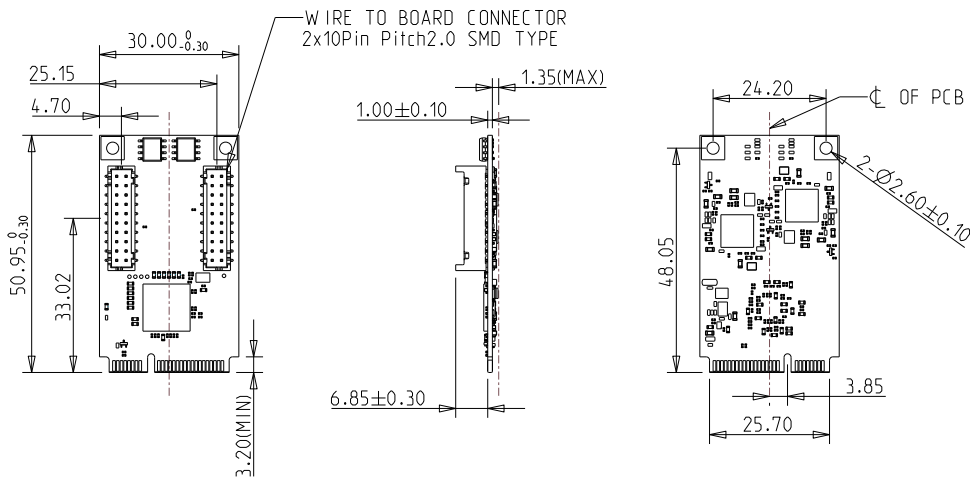
<b>Model Name</b>	EMPL-G2P3
<b>Module Type</b>	mPCIe to Dual PoE Module
<b>Form Factor</b>	mPCIe
<b>Function</b>	PoE
<b>Input I/F</b>	PCI Express 2.1 x1
<b>Output I/F</b>	PoE
<b>Output Port</b>	2
<b>Output Connector</b>	RJ45
<b>Max. Power Consumption</b>	LAN : 2.853W (3.3V, 865mA) PoE : 30W
<b>Dimension (W x L x H/mm)</b>	Main Board : 30 x 50.9 x 9.2 Daughter Board : 72.7 x 56.3 x 22.07
<b>Temperature</b>	Operation : S/T 0° ~ 70°C ; W/T -40°C ~ 85°C (Ta) Storage : -55°C ~ 95°C (Ta)
<b>Vibration</b>	5G@[7~2000Hz]
<b>Shock</b>	50G@0.5ms
<b>OS Support</b>	Windows : 10 (64bit), and above version Linux (igc) : Kernel 5.x version
<b>Warranty</b>	3 Years
<b>Notes</b>	<ul style="list-style-type: none"><li>• Please download driver from Intel official website.</li><li>• Linux Kernel rebuild is needed (modify igc driver) if version &lt; 5.15.</li><li>• Not recommend used in VMware ESXi due to High Latency.</li><li>• Not support Intel vPro.</li></ul>

# ORDER INFO.

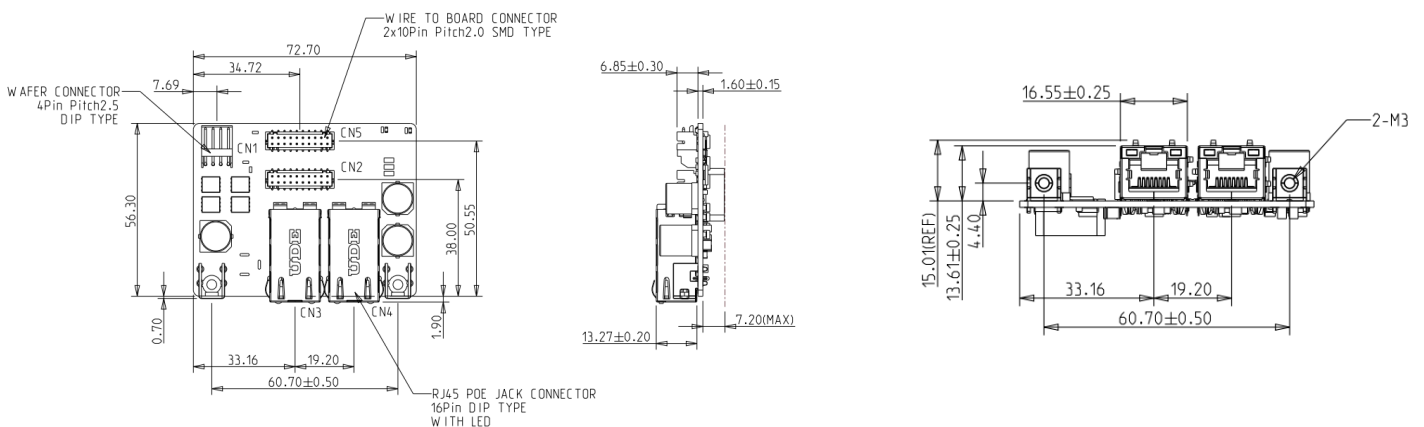
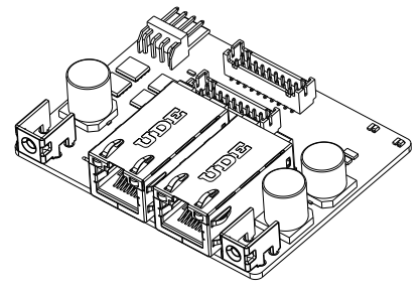
P/N	Description
EMPL-G2P3-C1	mPCIe to Dual PoE Module, Mounting Hole, 4-pin Header / Standard Temperature
EMPL-G2P3-W1	mPCIe to Dual PoE Module, Mounting Hole, 4-pin Header / Wide Temperature
EMPL-G2P3-C2	mPCIe to Dual PoE Module, Bracket, 4-pin Header / Standard Temperature
EMPL-G2P3-W2	mPCIe to Dual PoE Module, Bracket, 4-pin Header / Wide Temperature
EMPL-G2P3-C3	mPCIe to Dual PoE Module, Mounting Hole, DC Jack / Standard Temperature
EMPL-G2P3-W3	mPCIe to Dual PoE Module, Mounting Hole, DC Jack / Wide Temperature
EMPL-G2P3-C4	mPCIe to Dual PoE Module, Bracket, DC Jack / Standard Temperature
EMPL-G2P3-W4	mPCIe to Dual PoE Module, Bracket, DC Jack / Wide Temperature

## MECHANICAL DRAWING

### Main Board

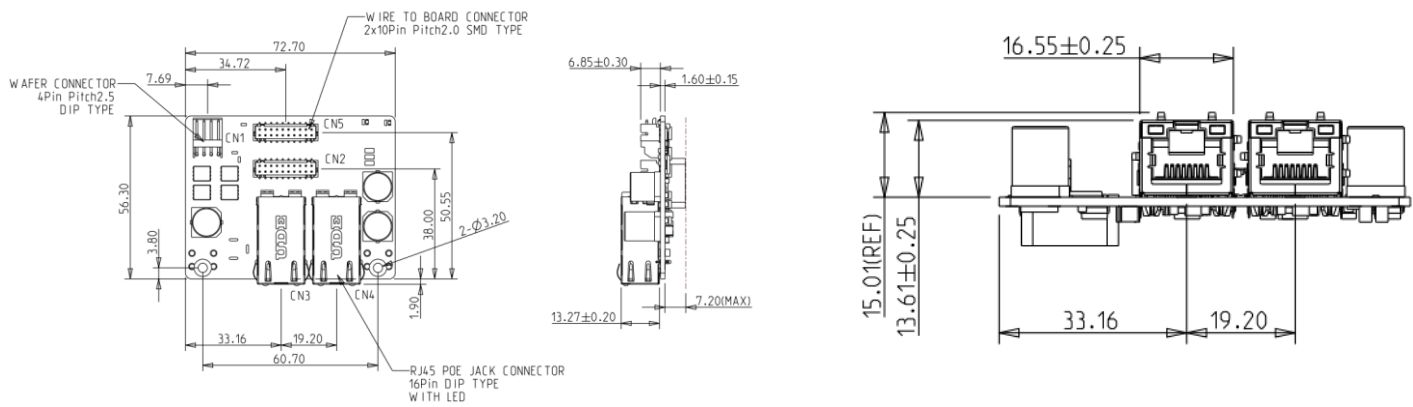
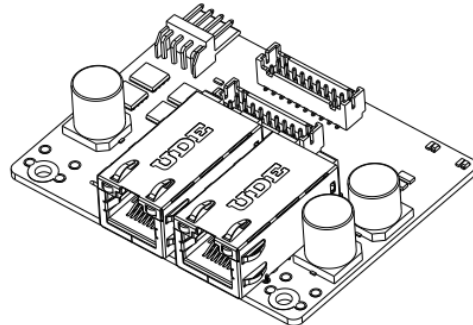
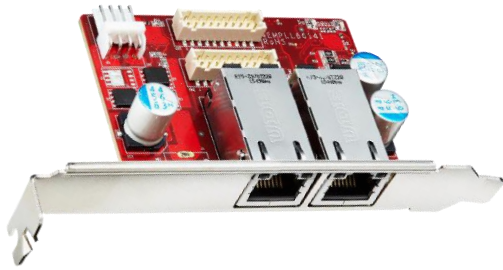


### EMPL-G2P3-C1 / W1 Daughter Board and Mechanical Drawing

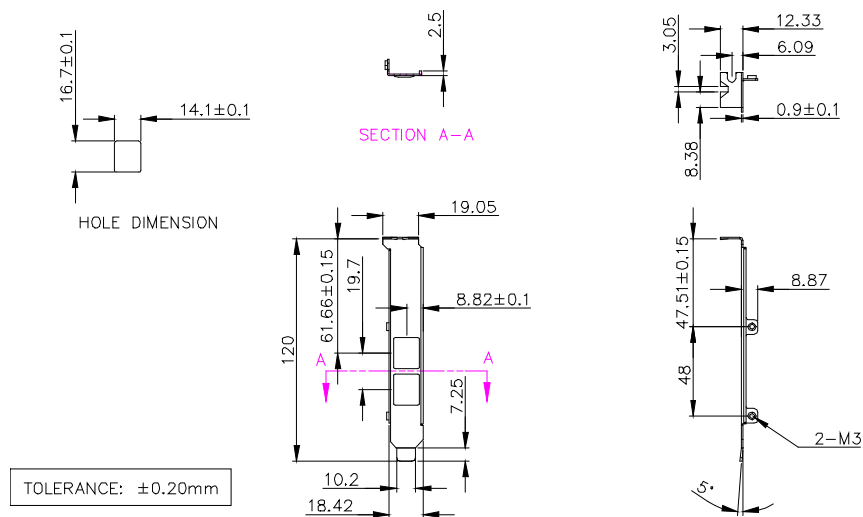


# MECHANICAL DRAWING

## EMPL-G2P3-C2 / W2 Daughter Board and Mechanical Drawing



### Bracket

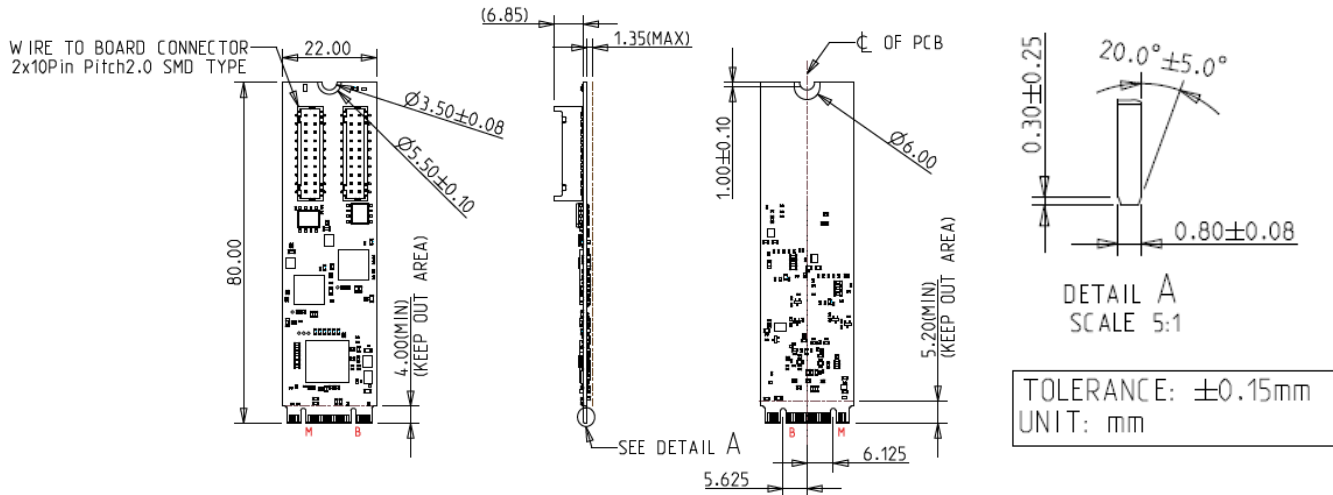


### PIN DEFINE

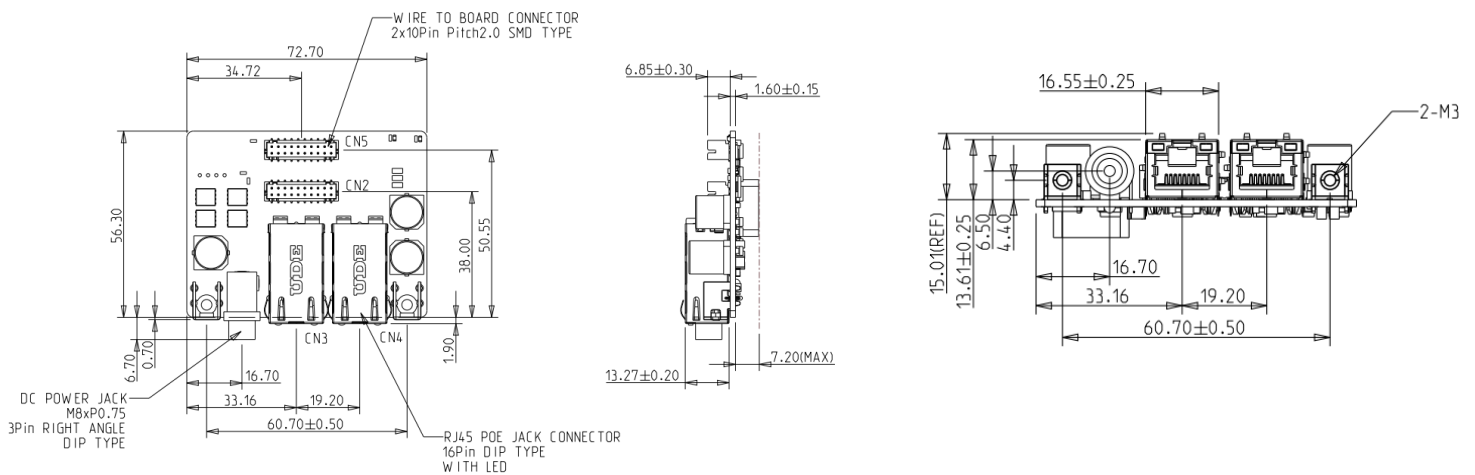
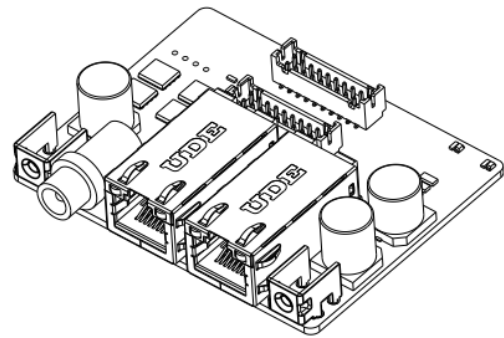
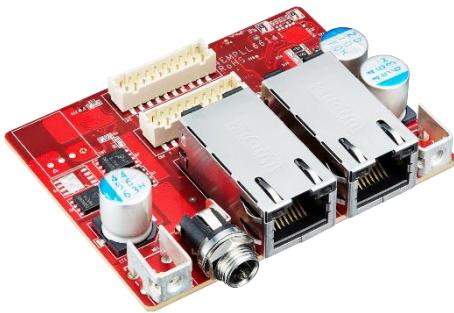
CAN Connector Pin Define	
1	NC
2	GND
3	GND
4	12 ~ 24V

# MECHANICAL DRAWING

## Main Board

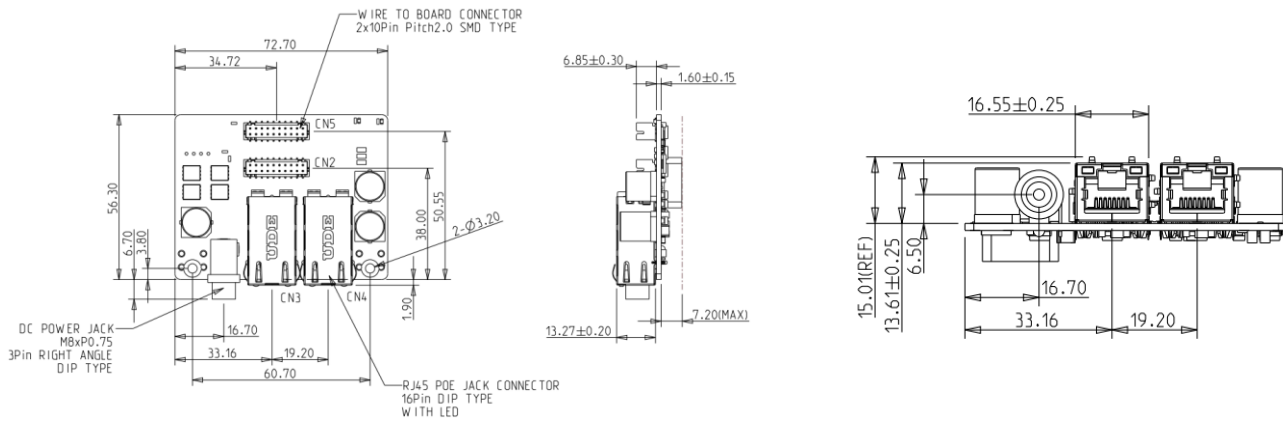
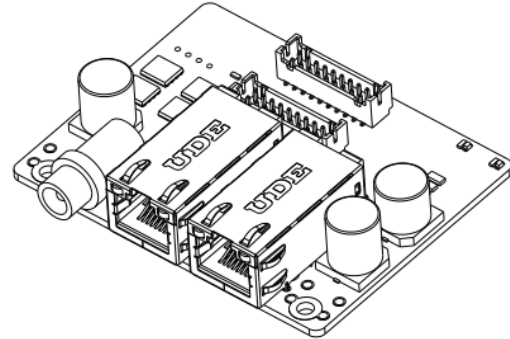


## EMPL-G2P3-C3 / W3 Daughter Board and Mechanical Drawing

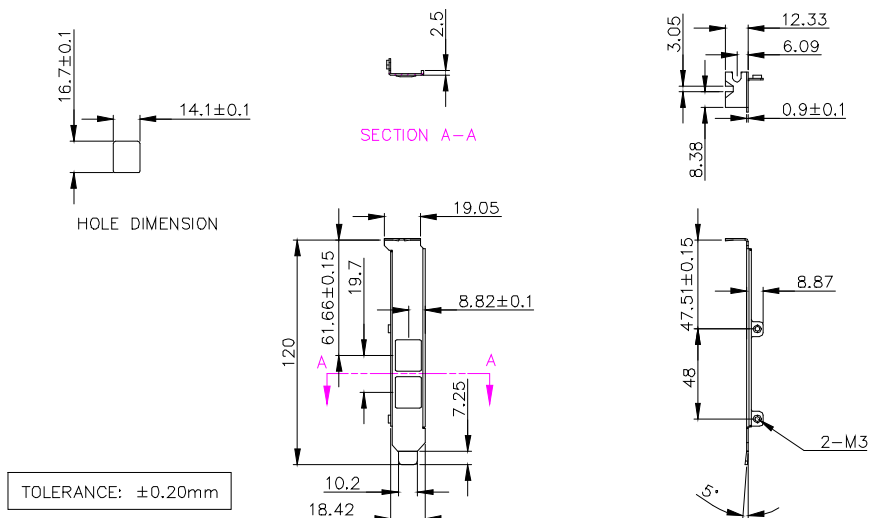


# MECHANICAL DRAWING

## EMPL-G2P3-C4 / W4 Daughter Board and Mechanical Drawing



### Bracket



HQ (Taiwan) T +886-2-7703-3000 / E sales@innodisk.com

CN T +86-755-2167-3689 / E sales\_cn@innodisk.com

US T +1-510-770-9421 / E usasales@innodisk.com

EU T +31-40-3045-400 / E eusales@innodisk.com

JP T +81-3-6667-0161 / E jp\_sales@innodisk.com

