

EMPL-G2N1

mPCIe to Dual GbE LAN Module

HIGHLIGHT FEATURES

- Complies with EN61000-4-2 (ESD) Air-15kV, Contact-8kV
- Transformer on PCB for flexible cable design
- External LED indicator pin for speed 10 / 100 / 1000
- Optional industrial temperature (-40°C to 85°C) support
- 30μ" golden finger, 3-year warranty
- Industrial design, manufactured in Innodisk Taiwan

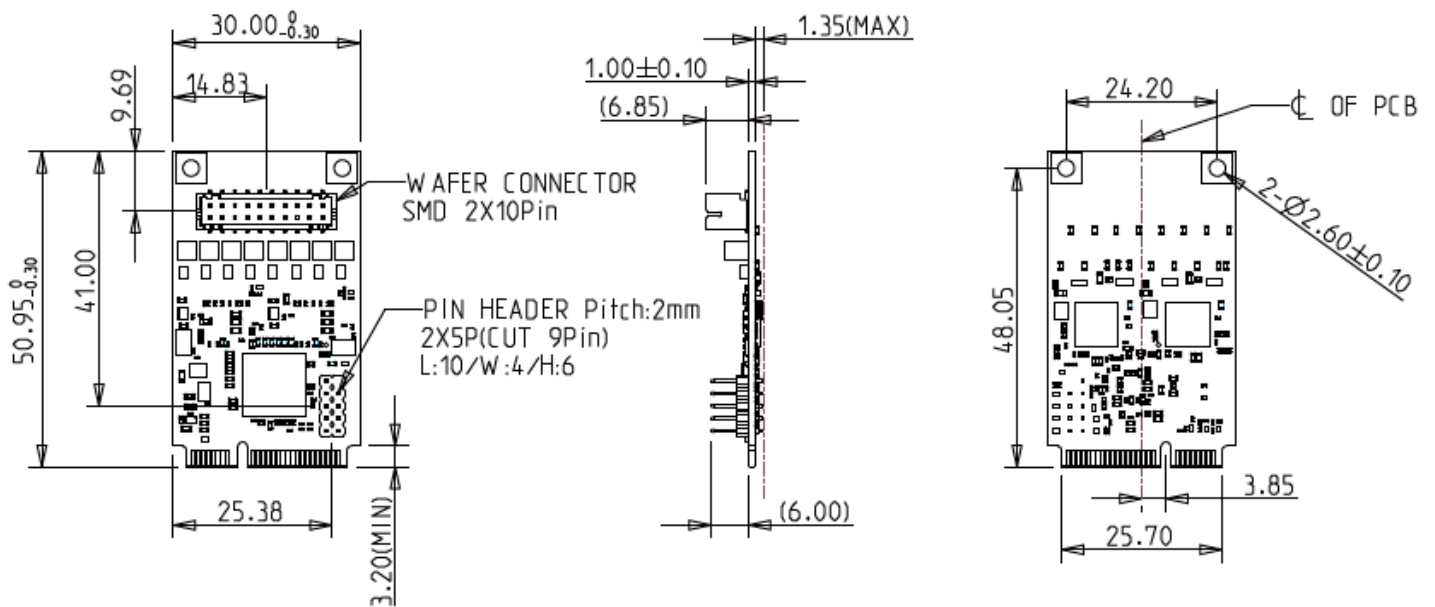
SPECIFICATIONS

Model Name	EMPL-G2N1
Module Type	mPCIe to Dual GbE LAN Module
Form Factor	mPCIe
Function	LAN
Input I/F	PCI Express 2.1 x1
Output I/F	GbE LAN
Output Port	2
Output Connector	RJ45
Max. Power Consumption	2.7324W (3.3V, 828mA)
Dimension (W x L x H/mm)	29.85 x 50.8 x 9.35
Temperature	Operation : S/T 0°C ~ 70°C ; W/T -40°C ~ 85°C (Ta) Storage : -55°C ~ 95°C (Ta)
Vibration	5G@[7~2000Hz]
Shock	50G@0.5ms
OS Support	Windows : 10 (64bit), and above version Linux (igc) : Kernel 5.x version
Warranty	3 Years
Notes	<ul style="list-style-type: none">• Please download driver from Intel official website.• Linux Kernel rebuild is needed (modify igc driver) if version < 5.15.• Not recommend used in VMware ESXi due to High Latency.• Not support Intel vPro.

ORDER INFO.

P/N	Description
EMPL-G2N1-C1	mPCIe to Dual GbE LAN Module / Standard Temperature
EMPL-G2N1-W1	mPCIe to Dual GbE LAN Module / Wide Temperature

MECHANICAL DRAWING



TOLERANCE: \pm 0.15mm
UNIT: mm

HQ (Taiwan) T +886-2-7703-3000 / E sales@innodisk.com

CN T +86-755-2167-3689 / E sales_cn@innodisk.com

US T +1-510-770-9421 / E usasales@innodisk.com

EU T +31-40-3045-400 / E eusales@innodisk.com

JP T +81-3-6667-0161 / E jp_sales@innodisk.com

innodisk