

## EMPL-G1N1

mPCIe to Single GbE LAN Module

### HIGHLIGHT FEATURES

- Complies with EN61000-4-2 (ESD) Air-15kV, Contact-8kV
- Transformer on PCB for flexible cable design
- External LED indicator pin for speed 10 / 100 / 1000
- Optional industrial temperature (-40°C to 85°C) support
- 30μ" golden finger, 3-year warranty
- Industrial design, manufactured in Innodisk Taiwan

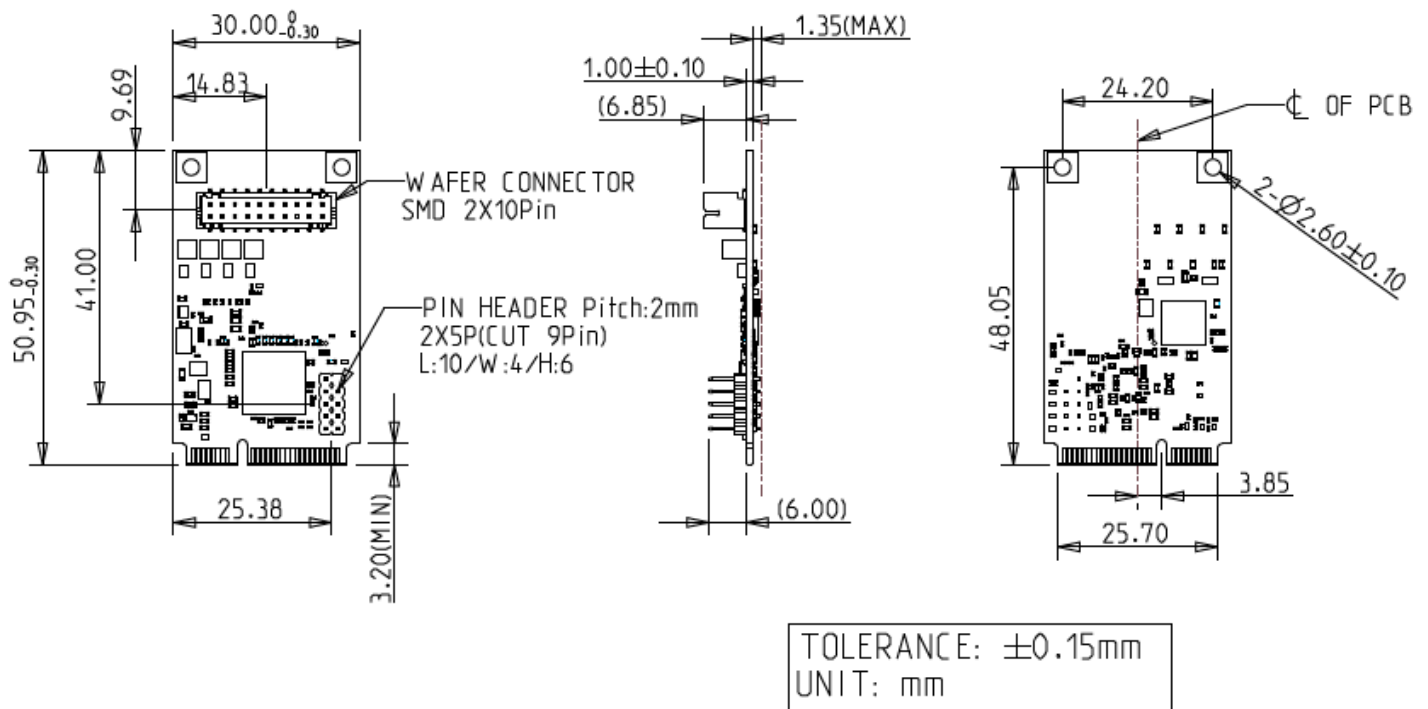
### SPECIFICATIONS

<b>Model Name</b>	EMPL-G1N1
<b>Module Type</b>	mPCIe to Single GbE LAN Module
<b>Form Factor</b>	mPCIe
<b>Function</b>	LAN
<b>Input I/F</b>	PCI Express 2.1 x1
<b>Output I/F</b>	GbE LAN
<b>Output Port</b>	1
<b>Output Connector</b>	RJ45
<b>Max. Power Consumption</b>	1.7853W (3.3V, 541mA)
<b>Dimension (W x L x H/mm)</b>	29.85 x 50.8 x 9.35
<b>Temperature</b>	Operation : S/T 0°C ~ 70°C ; W/T -40°C ~ 85°C (Ta) Storage : -55°C ~ 95°C (Ta)
<b>Vibration</b>	5G@[7~2000Hz]
<b>Shock</b>	50G@0.5ms
<b>OS Support</b>	Windows : 10 (64bit), and above version Linux (igc) : Kernel 5.x version
<b>Warranty</b>	3 Years
<b>Notes</b>	<ul style="list-style-type: none"><li>• Please download driver from Intel official website.</li><li>• Linux Kernel rebuild is needed (modify igc driver) if version &lt; 5.15.</li><li>• Not recommend used in VMware ESXi due to High Latency.</li><li>• Not support Intel vPro.</li></ul>

## ORDER INFO.

P/N	Description
EMPL-G1N1-C1	mPCIe to Single GbE LAN Module / Standard Temperature
EMPL-G1N1-W1	mPCIe to Single GbE LAN Module / Wide Temperature

## MECHANICAL DRAWING



HQ (Taiwan) T +886-2-7703-3000 / E sales@innodisk.com

CN T +86-755-2167-3689 / E sales\_cn@innodisk.com

US T +1-510-770-9421 / E usasales@innodisk.com

EU T +31-40-3045-400 / E eusales@innodisk.com

JP T +81-3-6667-0161 / E jp\_sales@innodisk.com

innodisk