



EGPL-G2P4

M.2 2280 to Dual PoE+ Module

HIGHLIGHT FEATURES

- Two independent PSE channels
- Complies with IEEE 802.3at, up to 25.5W at 52V per PoE port
- Complies with EN61000-4-2 (ESD) Air-15kV, Contact-8kV
- Supports 19V to 24V ($\pm 5\%$) power input via 4-pin header
- Optional terminal mounting hole or bracket for daughter board
- Optional industrial temperature (-40°C to 85°C) support

SPECIFICATIONS

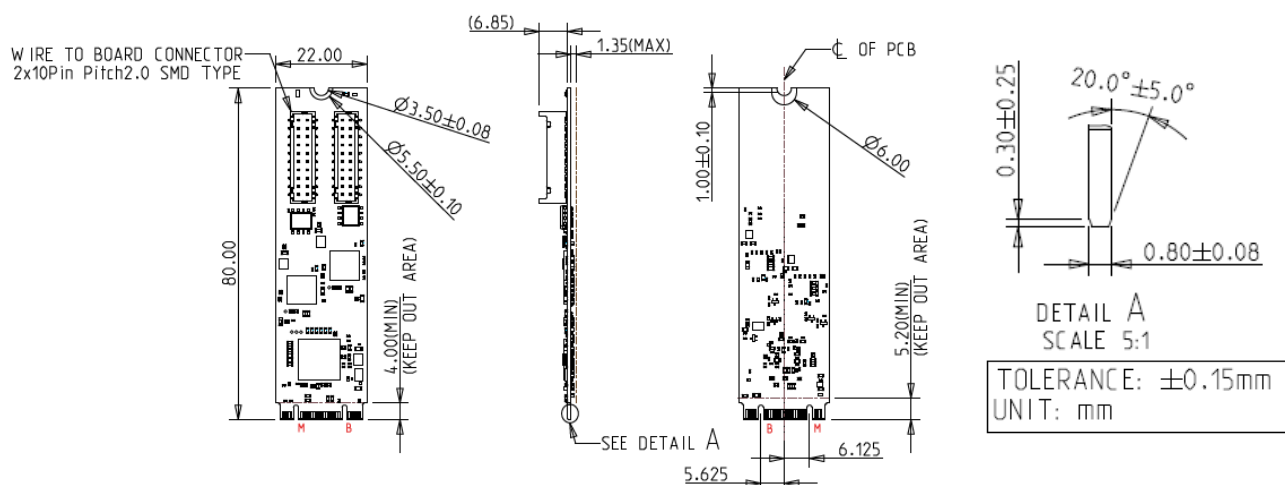
Model Name	EGPL-G2P4
Module Type	M.2 2280 to Dual PoE+ Module
Form Factor	M.2 2280 B+M Key
Function	PoE+
Input I/F	PCI Express 2.1 x1
Output I/F	PoE+
Output Port	2
Output Connector	RJ45
Max. Power Consumption	LAN : 2.9W (3.3V, 892mA) PoE : 30W
Dimension (W x L x H/mm)	Main Board : 22 x 80 x 9 Daughter Board : 72.7 x 58.2 x 23.8
Temperature	Operation : S/T 0° ~ 70°C ; W/T -40°C ~ 85°C (Ta) Storage : -55°C ~ 95°C (Ta)
Vibration	5G@[7~2000Hz]
Shock	50G@0.5ms
OS Support	Windows : 10 (64bit), and above version Linux (igc) : Kernel 5.x version
Warranty	3 Years
Notes	<ul style="list-style-type: none">• Please download driver from Intel official website.• Linux Kernel rebuild is needed (modify igc driver) if version < 5.15.• Not recommend used in VMware ESXi due to High Latency.• Not support Intel vPro.

ORDER INFO.

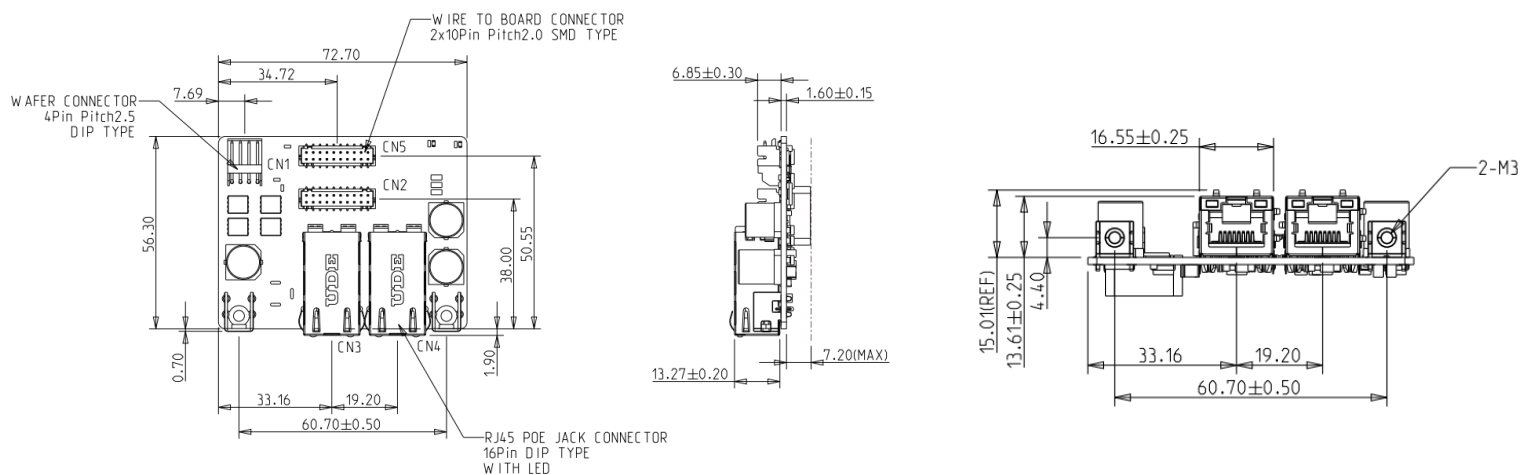
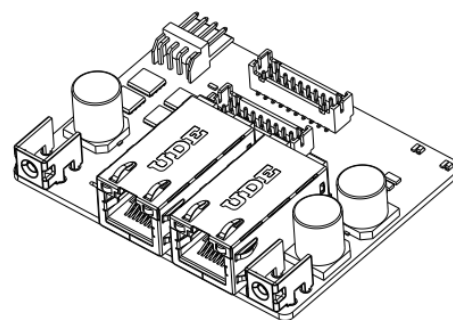
P/N	Description
EGPL-G2P4-C1	M.2 2280 to Dual PoE+ Module, Mounting Hole, 4-pin Header / Standard Temperature
EGPL-G2P4-W1	M.2 2280 to Dual PoE+ Module, Mounting Hole, 4-pin Header / Wide Temperature
EGPL-G2P4-C2	M.2 2280 to Dual PoE+ Module, Bracket, 4-pin Header / Standard Temperature
EGPL-G2P4-W2	M.2 2280 to Dual PoE+ Module, Bracket, 4-pin header / Wide Temperature

MECHANICAL DRAWING

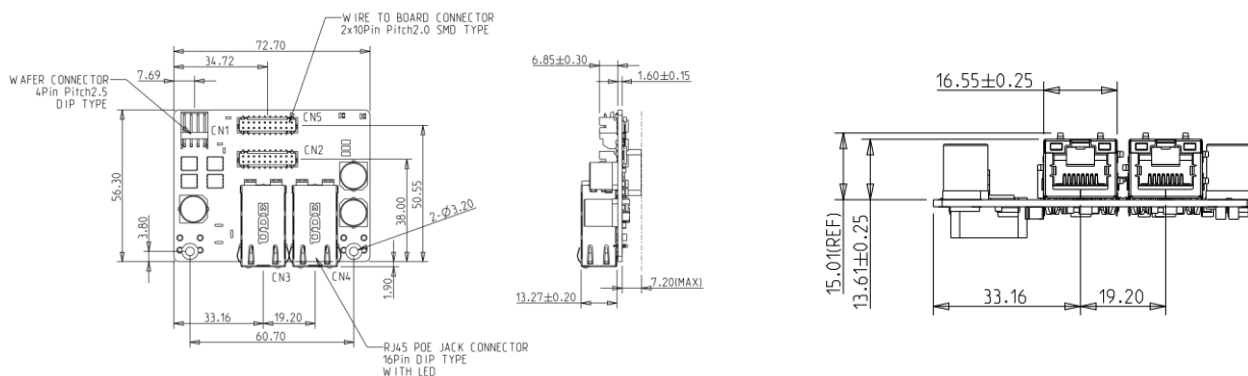
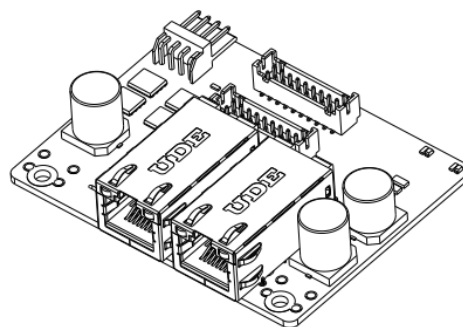
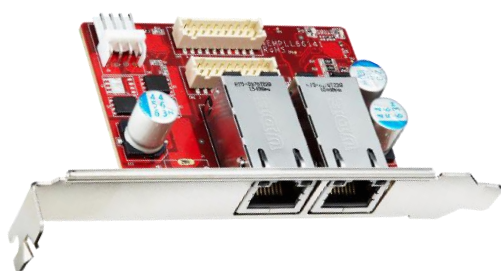
Main Board



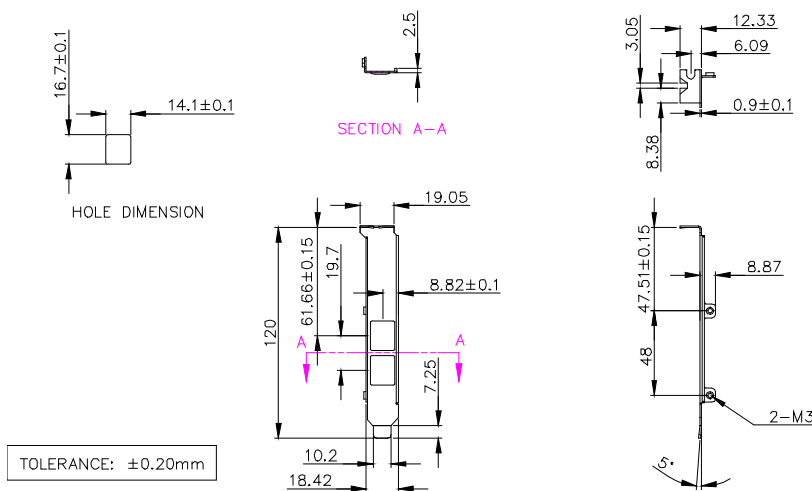
EGPL-G2P4-C1 / W1 Daughter Board and Mechanical Drawing



EGPL-G2P4-C2 / W2 Daughter Board and Mechanical Drawing



Bracket



PIN DEFINE

CAN Connector Pin Define

1	NC
2	GND
3	GND
4	19 ~ 24V

HQ (Taiwan) T +886-2-7703-3000 / E sales@innodisk.com

CN T +86-755-2167-3689 / E sales_cn@innodisk.com

US T +1-510-770-9421 / E usasales@innodisk.com

EU T +31-40-3045-400 / E eusales@innodisk.com

JP T +81-3-6667-0161 / E jp_sales@innodisk.com

innodisk