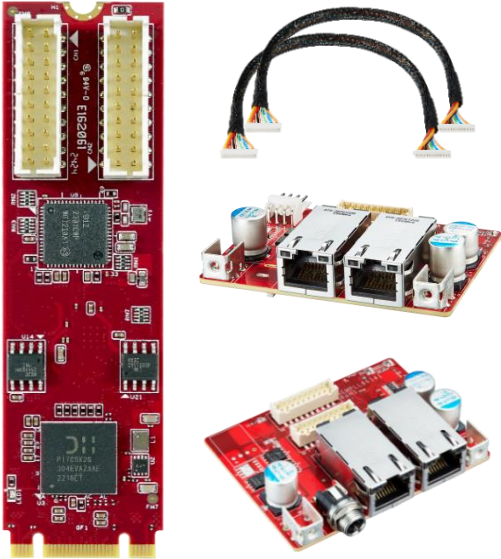


EGPL-G2P1

M.2 2280 to Dual PoE Module

HIGHLIGHT FEATURES

- Intel i210 controller
- Two independent PSE channels
- Complies with IEEE 802.3af, up to 15.4W at 48V per PoE port
- Complies with EN61000-4-2 (ESD) Air-15kV, Contact-8kV
- Supports 12V to 24V power input via 4-pin header
- Optional terminal mounting hole or bracket for daughter board
- Optional for 4-pin header or DC Jack power input
- Optional industrial temperature (-40°C to 85°C) support



SPECIFICATIONS

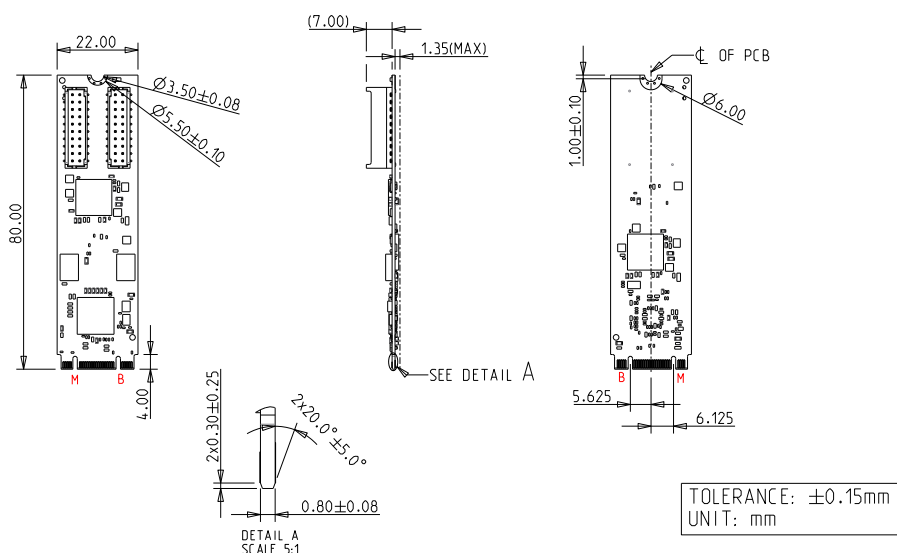
Model Name	EGPL-G2P1
Module Type	M.2 2280 to Dual PoE Module
Form Factor	M.2 2280 B+M Key
Function	PoE
Input I/F	PCI Express 2.1 x1
Output I/F	PoE
Output Port	2
Output Connector	RJ45
Max. Power Consumption	30W
Dimension (W x L x H/mm)	Main Board : 22 x 80 x 9.3 Daughter Board : 58.2 x 72.7 x 23.8
Temperature	Operation : S/T 0° ~ 70°C ; W/T -40°C ~ 85°C (Ta) Storage : -55°C ~ 95°C (Ta)
Vibration	5G@[7~2000Hz]
Shock	50G@0.5ms
OS Support	Windows : XP (32bit), 7 (32 / 64bit), 8 / 8.1 (32 / 64 bit), 10 (32 / 64bit), and above version Linux : Kernel 2.4 series, 2.6.x, and 3.x version
Warranty	3 Years
Notes	<ul style="list-style-type: none"> • Please download driver from Intel official website.

ORDER INFO.

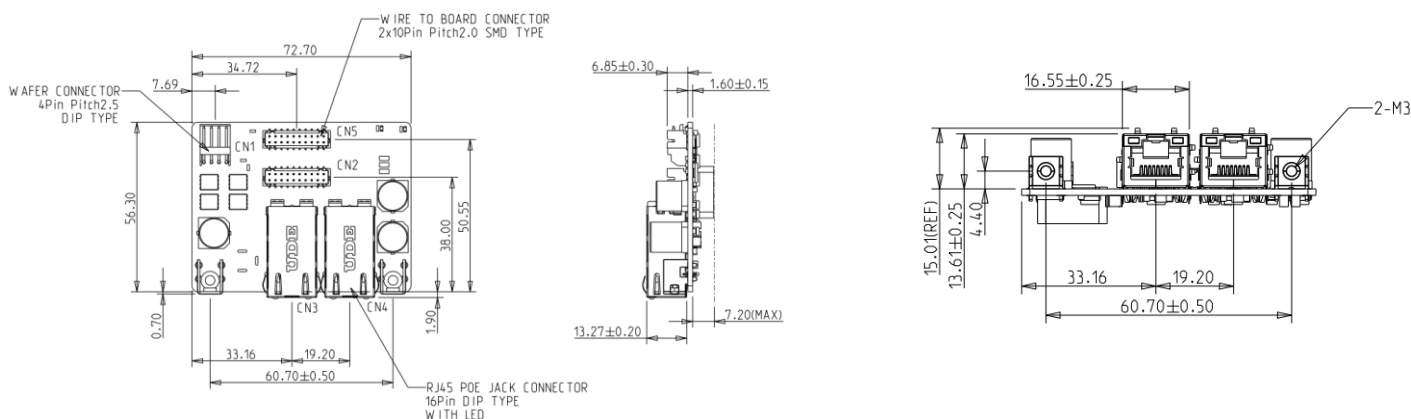
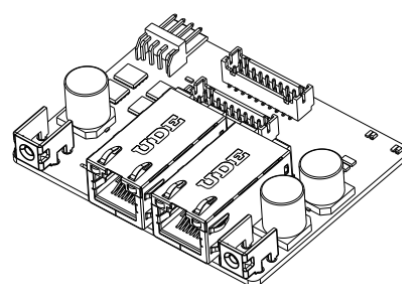
P/N	Description
EGPL-G2P1-C5	M.2 2280 to Dual PoE Module, Mounting Hole, 4-pin Header / Standard Temperature
EGPL-G2P1-W5	M.2 2280 to Dual PoE Module, Mounting Hole, 4-pin Header / Wide Temperature
EGPL-G2P1-C6	M.2 2280 to Dual PoE Module, Bracket, 4-pin Header / Standard Temperature
EGPL-G2P1-W6	M.2 2280 to Dual PoE Module, Bracket, 4-pin Header / Wide Temperature
EGPL-G2P1-C7	M.2 2280 to Dual PoE Module, Mounting Hole, DC Jack / Standard Temperature
EGPL-G2P1-W7	M.2 2280 to Dual PoE Module, Mounting Hole, DC Jack / Wide Temperature
EGPL-G2P1-C8	M.2 2280 to Dual PoE Module, Bracket, DC Jack / Standard Temperature
EGPL-G2P1-W8	M.2 2280 to Dual PoE Module, Bracket, DC Jack / Wide Temperature

MECHANICAL DRAWING

Main Board

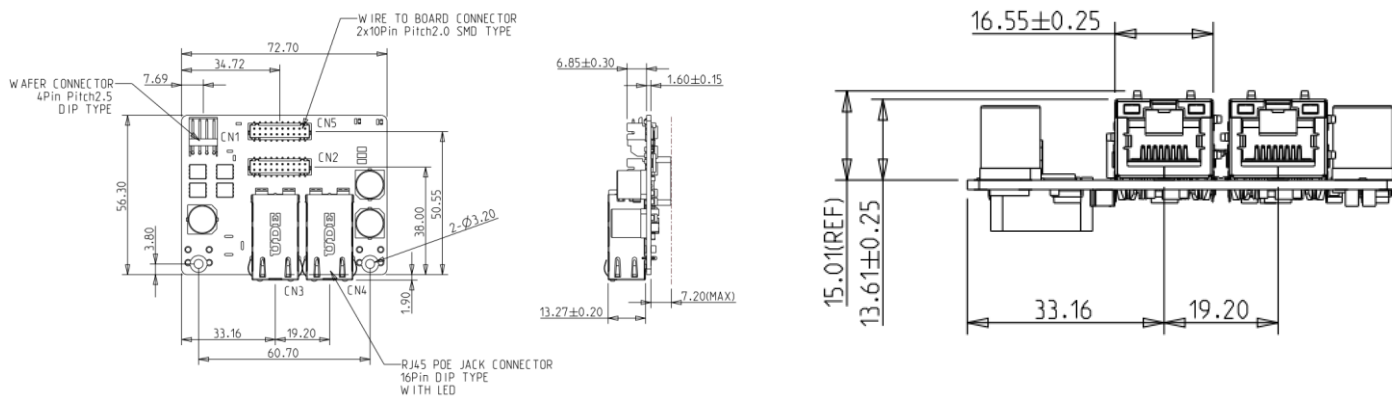
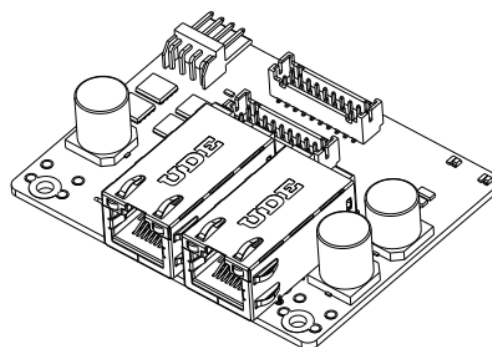


EGPL-G2P1-C5 / W5 Daughter Board and Mechanical Drawing

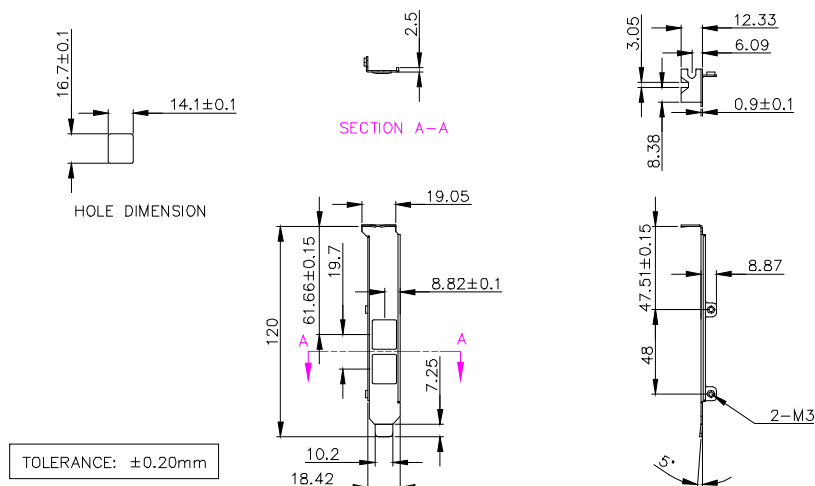


MECHANICAL DRAWING

EGPL-G2P1-C6 / W6 Daughter Board and Mechanical Drawing



Bracket

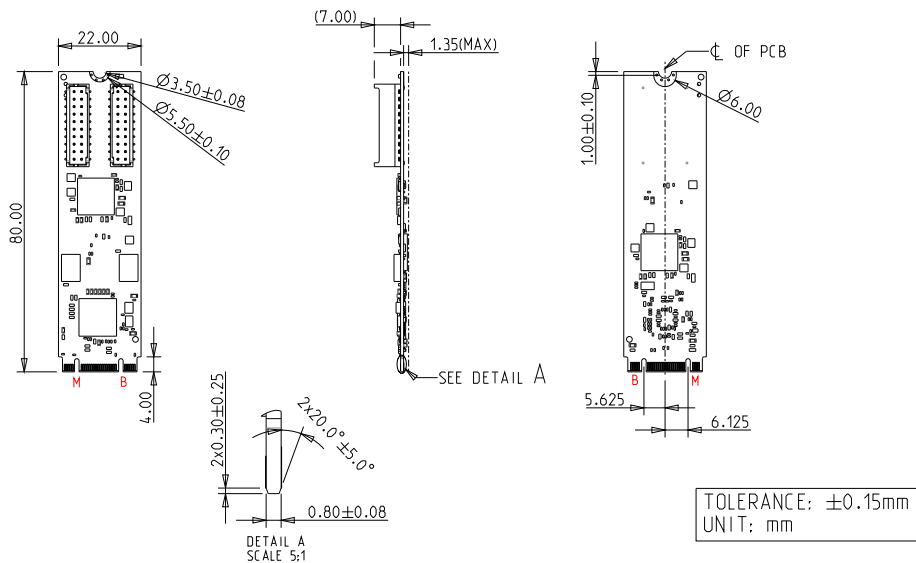


PIN DEFINE

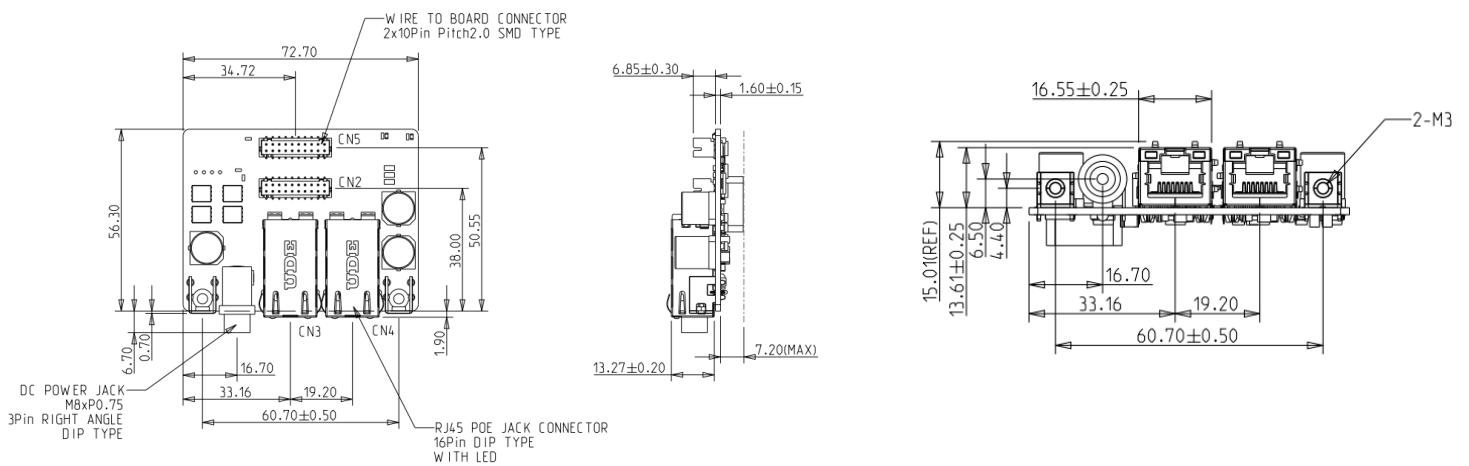
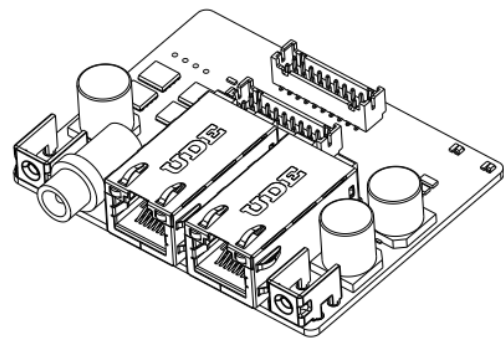
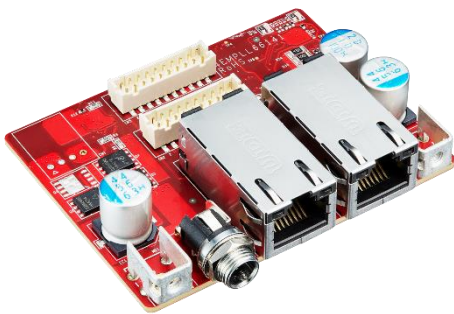
CAN Connector Pin Define	
1	NC
2	GND
3	GND
4	12 ~ 24V

MECHANICAL DRAWING

Main Board

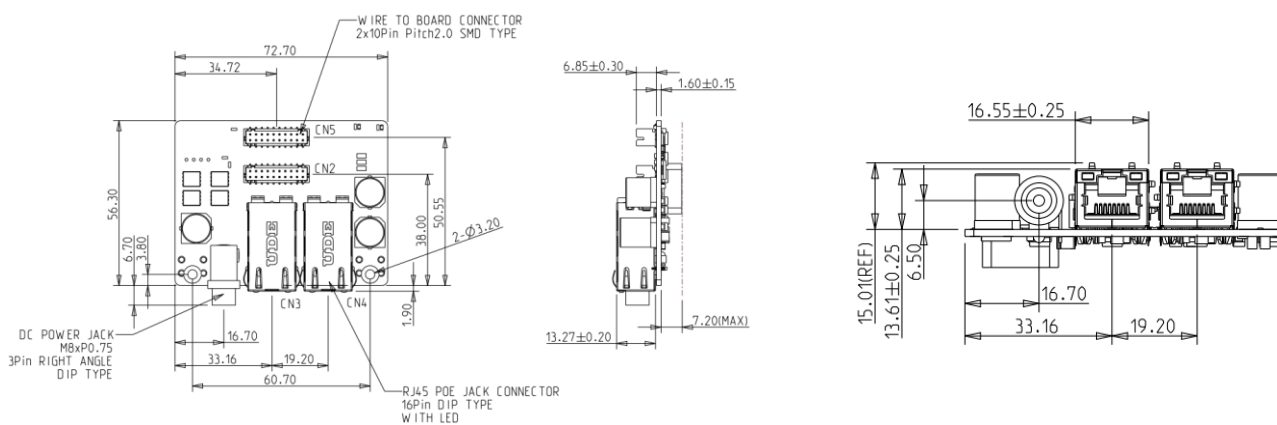
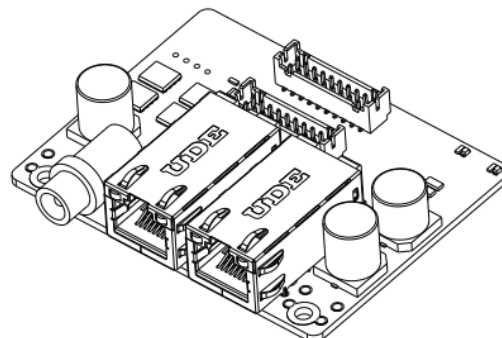


EGPL-G2P1-C7 / W7 Daughter Board and Mechanical Drawing

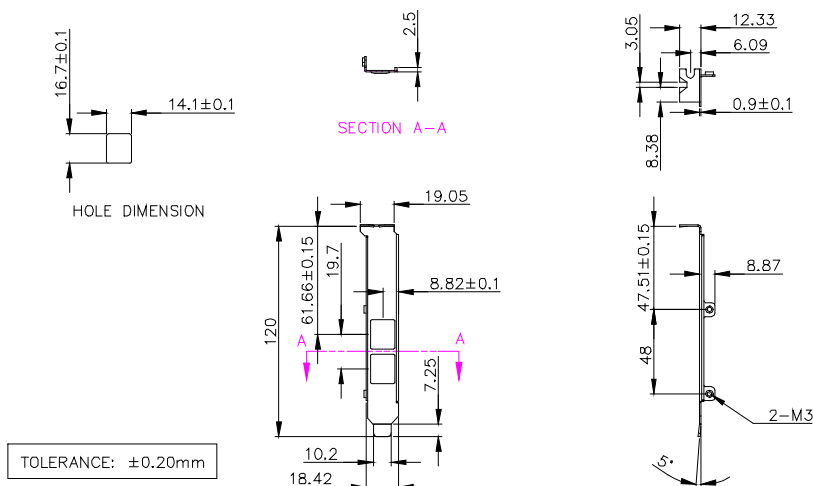


MECHANICAL DRAWING

EGPL-G2P1-C8 / W8 Daughter Board and Mechanical Drawing



Bracket



HQ (Taiwan) T +886-2-7703-3000 / E sales@innodisk.com

CN T +86-755-2167-3689 / E sales_cn@innodisk.com

US T +1-510-770-9421 / E usasales@innodisk.com

EU T +31-40-3045-400 / E eusales@innodisk.com

JP T +81-3-6667-0161 / E jp_sales@innodisk.com

